



Manufactured by:
Backyard Discovery
3305 Airport Drive, Pittsburg, KS 66762
800-856-4445

Basepoint Business Centre: Rivermead Drive, Westlea, Swindon SN5 7EX Phone: 0800-118-2476
J.P. Coenstraat 7, The Bridge, The Hague, 2595 WP, Netherlands Phone: 08005678990

SWEETWATER PLAYHOUSE MODEL: # 2001312



WARNING

Adult Assembly Required.

The assembly manual must be retained since it contains important information

Not suitable for children under two years due to sharp points and small parts.
FOR DOMESTIC USE ONLY. INTENDED FOR OUTDOOR USE.

CAN ICES-003 (B)/NMB-003(B)



Please visit www.backyarddiscovery.com

For the most up to date assembly manual, to register your product, or to order replacement parts

Para obtener instrucciones en español, visite www.backyarddiscovery.com



**EASY STEP-BY-STEP
INTERACTIVE INSTRUCTIONS**
DOWNLOAD THE FREE APP



Made in China

INS-2001312-A-SWEETWATER-ENG 08-04-23



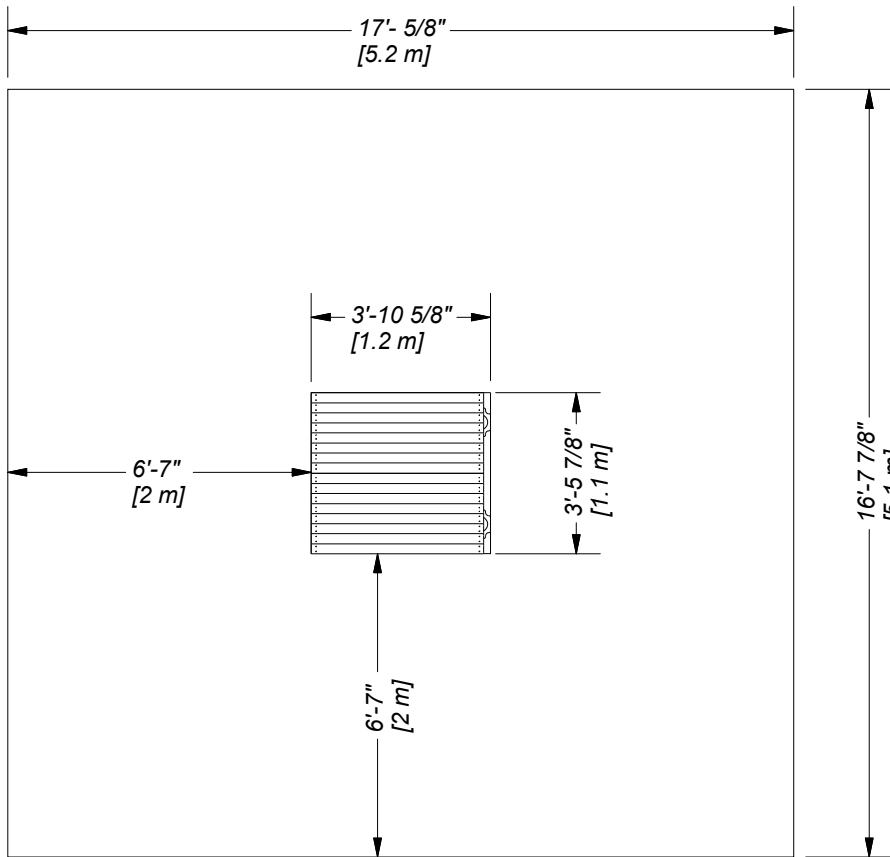
Selecting the correct location for your play product is important for your children's safety and the product's longevity

- The safe play area refers to a zone extending 6'-7" (2m) beyond the play product on all sides, including the space above the play product.

SAFE PLAY AREA DIAGRAM

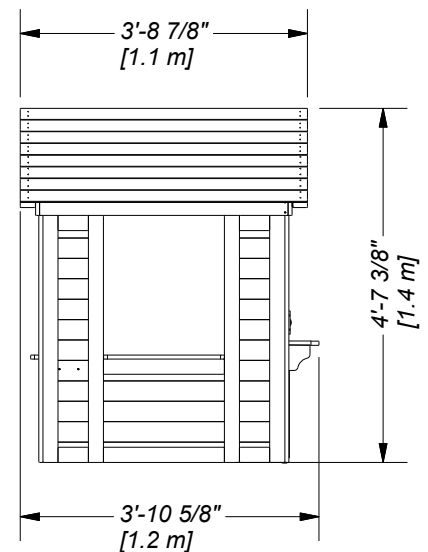
Ground Dimension

3'-5 7/8" (1.1 m) x 3'-10 5/8" x (1.2 m) x 4' 7-3/8" (1.4 m)



Safe Play Area

16'-7 7/8" (5.1 m) x 17'- 5/8" (5.2 m)



SAFE PLAY HEIGHT: 11'-2 3/8" [3.4 m]
MAXIMUM FALL HEIGHT: 4' 7-3/8" [1.4 m]

General Information:

Your set has been designed and engineered for children only and for residential use only.
 A maximum of 150 lbs. per child is recommended for play activities designed for individual use.
 A maximum of 120 lbs. per child is recommended for play activities designed for multiple child use.
 A maximum of 9 children is recommended for this swing set.



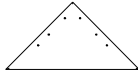
Wood Components (Not to Scale)



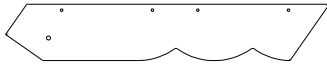
D1 | COUNTER TOP SUPPORT - W4L13444
(x1) | 1 3/8"x4 3/8"x5 7/8" (36x112x150)



J1 | COUNTER TOP SUPPORT - W4L13445
(x2) | 1"x2 3/8"x5 7/8" (24x60x150)



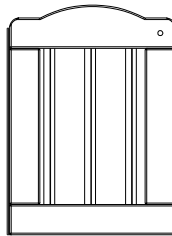
K1 | TRIANGLE SUNBURST - W4L13450
(x2) | 5/8"x5 1/4"x10 3/8" (16x134x265)



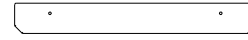
L1 | GABLE BOARD - W4L13447
(x4) | 5/8"x4 3/8"x25 3/8" (16x112x643)



M1 | COUNTER TOP - W4L13446
(x4) | 5/8"x3 3/8"x18 1/2" (16x86x469)



DP1 | DOOR ASSEMBLY - W2A02980
(x1) | 1 1/4"x17 15/16"x13 1/8" (32x456x334)



N1 | SIDE WINDOW SHELF - W4L13453
(x2) | 5/8"x2 3/8"x18 7/8" (16x60x479)



N2 | REAR WINDOW SHELF - W4L13448
(x1) | 5/8"x2 3/8"x19 1/8" (16x60x485)



N3 | DOOR STOP - W4L13449
(x1) | 5/8"x2 3/8"x3 7/8" (16x60x100)



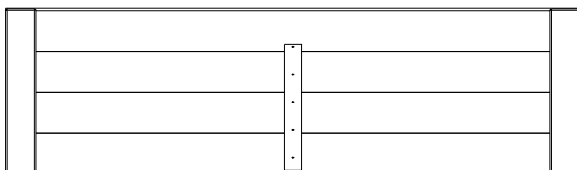
N4 | TIE STRAP - W4L13443
(x8) | 5/8"x2"x3 1/8" (16x50x80)



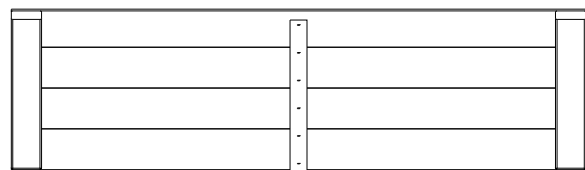
N5 | SUNBURST LEG - W4L13451
(x2) | 5/8"x2 3/8"x10 1/4" (16x60x260)



N6 | SUNBURST LEG - W4L13452
(x4) | 5/8"x2 3/8"x8 1/4" (16x60x210)



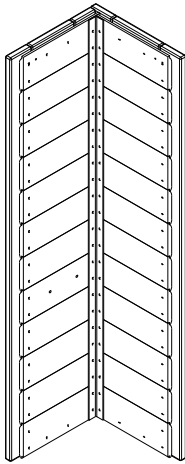
RP1 | LOWER ROOF PANEL - W2A02982
(x2) | 1 3/8"x13"x44 7/8" (35x329x1140)



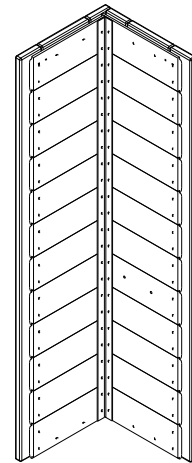
RP2 | UPPER ROOF PANEL - W2A02983
(x2) | 1 3/8"x12 3/4"x44 7/8" (35x324x1140)



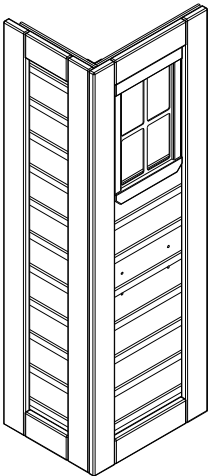
Wood Components (Not to Scale)



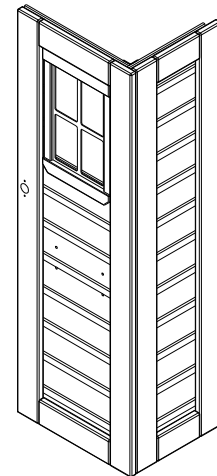
WP3 | LEFT REAR CORNER PANEL - W2A02993
(x1)



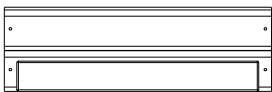
WP4 | RIGHT REAR CORNER PANEL - W2A02994
(x1)



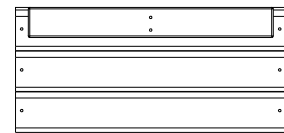
WP1 | LEFT FRONT CORNER PANEL - W2A02991
(x1)



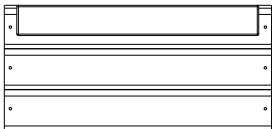
WP2 | RIGHT FRONT CORNER PANEL - W2A02992
(x1)



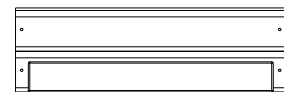
WP5 | LOWER CENTER WALL - W2A02978
(x2) | 1 1/2"x6 5/8"x20 7/8" (38x167x530)



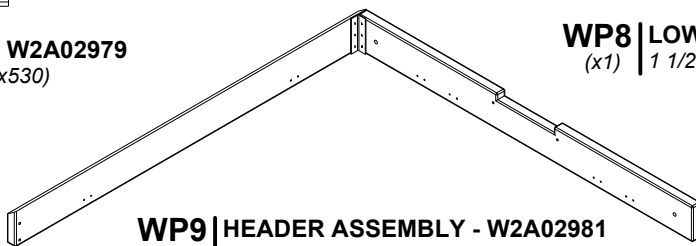
WP7 | UPPER REAR CENTER WALL - W2A02989
(x1) | 1 1/2"x21 1/8"x9 3/4" (38x536x248)



WP6 | UPPER CENTER WALL - W2A02979
(x2) | 1 1/2"x9 3/4"x20 7/8" (38x248x530)



WP8 | LOWER REAR CENTER WALL - W2A02990
(x1) | 1 1/2"x6 5/8"x21 1/8" (38x167x536)



WP9 | HEADER ASSEMBLY - W2A02981
(x2) | 3 3/8"x37 7/8"x38 7/8" (86x962x986)



Hardware Components



H100090 | SCREW PFH
(x7) | 8x2 1/2"



H100086 | SCREW PFH
(x24) | 8x1 1/2"



H100087 | SCREW PFH
(x57) | 8x1 1/4"



H100088 | SCREW PFH
(x33) | 8x1 1/8"



H100085 | SCREW PFH
(x41) | 8x1"



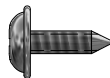
H100124 | SCREW PFH
(x2) | 8 x 1/2"



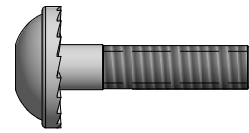
H100070 | SCREW PWH
(x9) | 8x3/4"



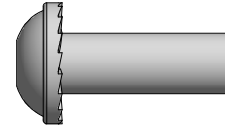
H100128 | SCREW PWH
(x4) | 8x5/8"



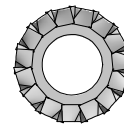
H100361 | SCREW PWH
(x2) | 8x7/16"



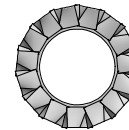
H100137 | BOLT WH
(x5) | 1/4x1"



H100140 | NUT BARREL WH
(x5) | 1/4x7/8"



H100138 | WASHER LOCK EXT
(x5) | 6x15"



H100139 | WASHER LOCK EXT
(x5) | 8x15"



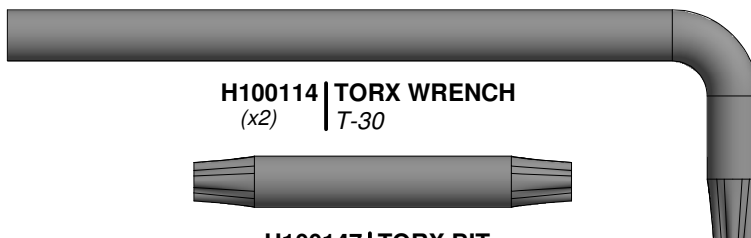
H100537 | SCREW PFH SD
(x2) | 8x1"



H100624 | SCREW PFH BLK
(x2) | 6x5/8"



H100764 | SCREW SETTER
(x1)

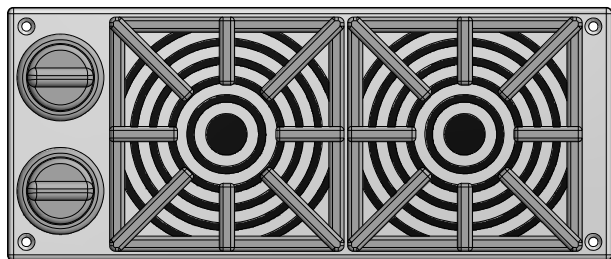


H100114 | TORX WRENCH
(x2) | T-30

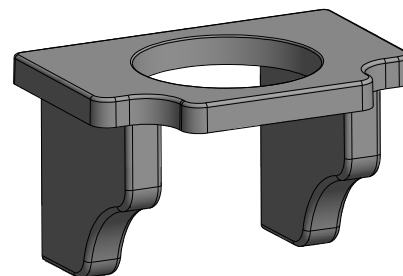
H100147 | TORX BIT
(x2) | T-30



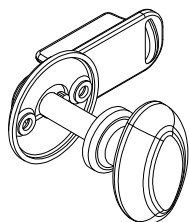
Accessory Components (Not to Scale)



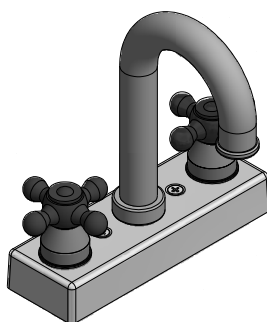
A6P00025 | STOVE KIT
(x1)



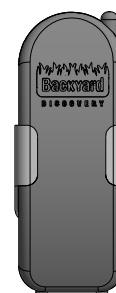
A6P00387 | FLOWER POT HOLDER - BLK
(x2)



A6P00020 | KNOB KIT
(x1)



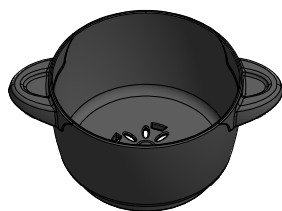
A6P00024 | FAUCET KIT
(x1)



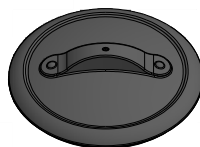
A100132 | PHONE KIT
(x1)



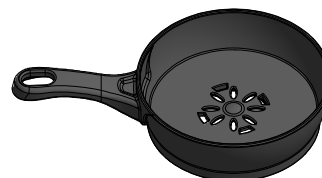
BE SURE TO WASH ALL PLASTIC TOYS BEFORE USE.



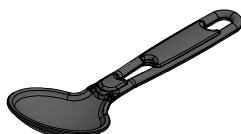
A6P00336 | BOIL POT
(x1)



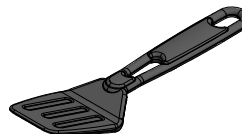
A6P00337 | POT/PAN LID
(x1)



A6P00338 | FRY PAN
(x1)



A6P00340 | LADLE
(x1)



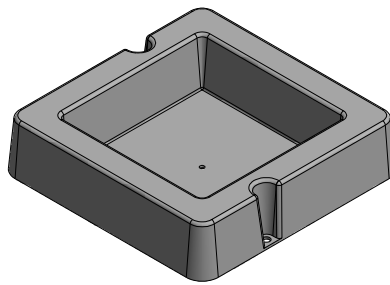
A6P00339 | SPATULA
(x1)



Accessory Components (Not to Scale)



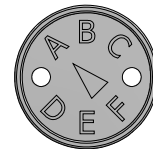
A4M00517 | METAL TIE STRAP
(x1)



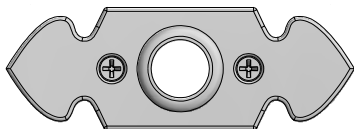
A6P00032 | SURFACE MOUNT BASIN
(x1)



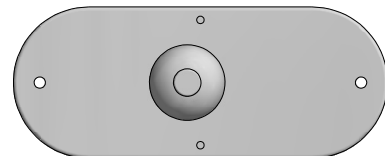
A4M00528 | BYD ID TAG (MEDIUM) AGES 2 TO 10
(x1)



A100314 | "A" REVISION TAG
(x1)



A6P00290 | DOOR BELL PLATE
(x1)



A100174 | DOOR BELL
(x1)

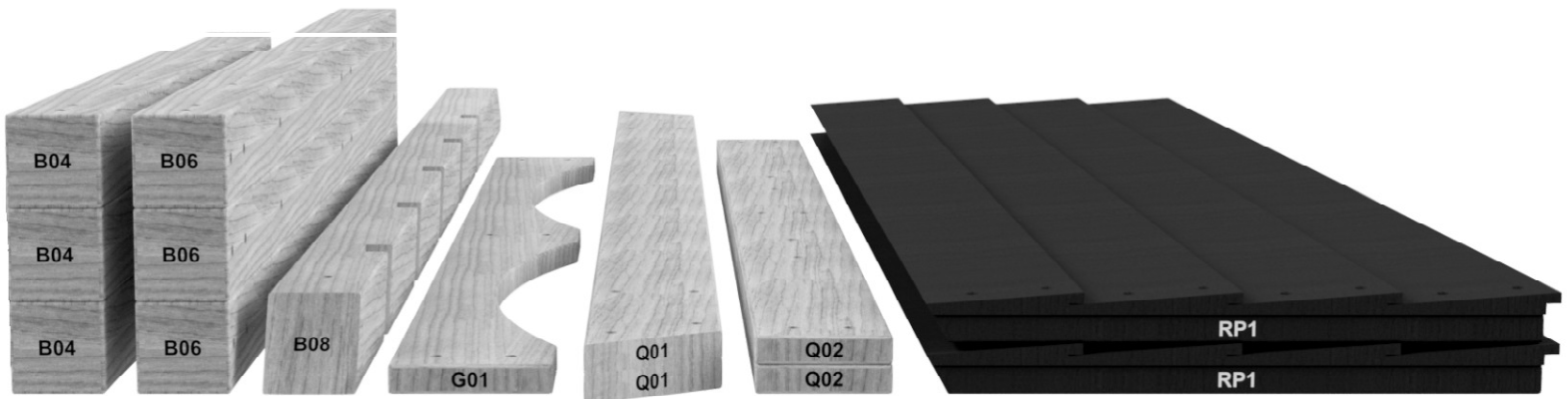
PRE-ASSEMBLY STEP 1 - SORTING PARTS

It is critical for ease of assembly that you take the time to sort and organize the wood and hardware.

WOOD PARTS:

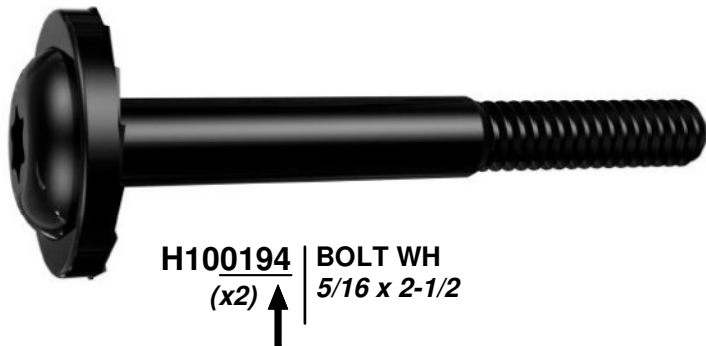
- Organize wood parts by the three-digit, alpha-numeric number stamped on each board (ex. P01).
- If there are multiple boards with the same stamped number, stack those pieces together.
- Stamps can be found on the flat surface of the boards or on the end of the boards.
- Allow yourself plenty of room - the wood pieces can take up a significant amount of space.

NOTE: CARTONS ARE NOT ORGANIZED BY BOARD NUMBER.



HARDWARE PARTS:

- We recommend that you have a separate table to organize the hardware.
- Hardware bags are printed with a seven-digit, alpha-numeric part number.
- You can organize your hardware by part number or group by hardware type (i.e. bolts, nuts, etc.).
- During assembly you only need to reference the last four digits of the number.



PRE-ASSEMBLY STEP 2 - TOOLS REQUIRED



**Cordless Drill or
Electric Drill**



**Drill Attachments:
Phillips Head**



**1/8", 3/16", 3/8" & 7/16"
Drill Bits**



Phillips Screw Driver



Open End Wrenches 1/2" & 9/16"



**3/8" Drive Ratchet, 1/2" &
9/16" STD Sockets 1/2" & 9/16" Deep
Sockets**



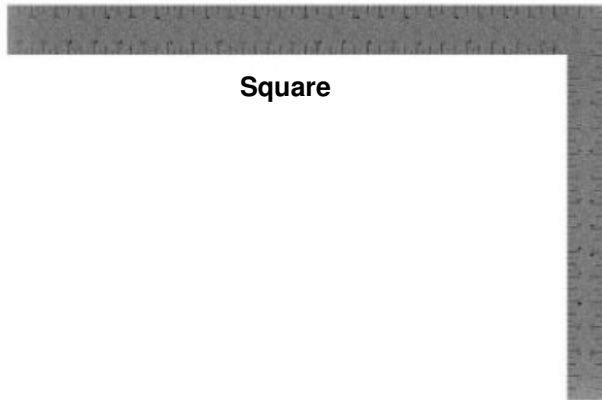
Claw Hammer



Rubber Mallet - Optional



Tape Measure



Square

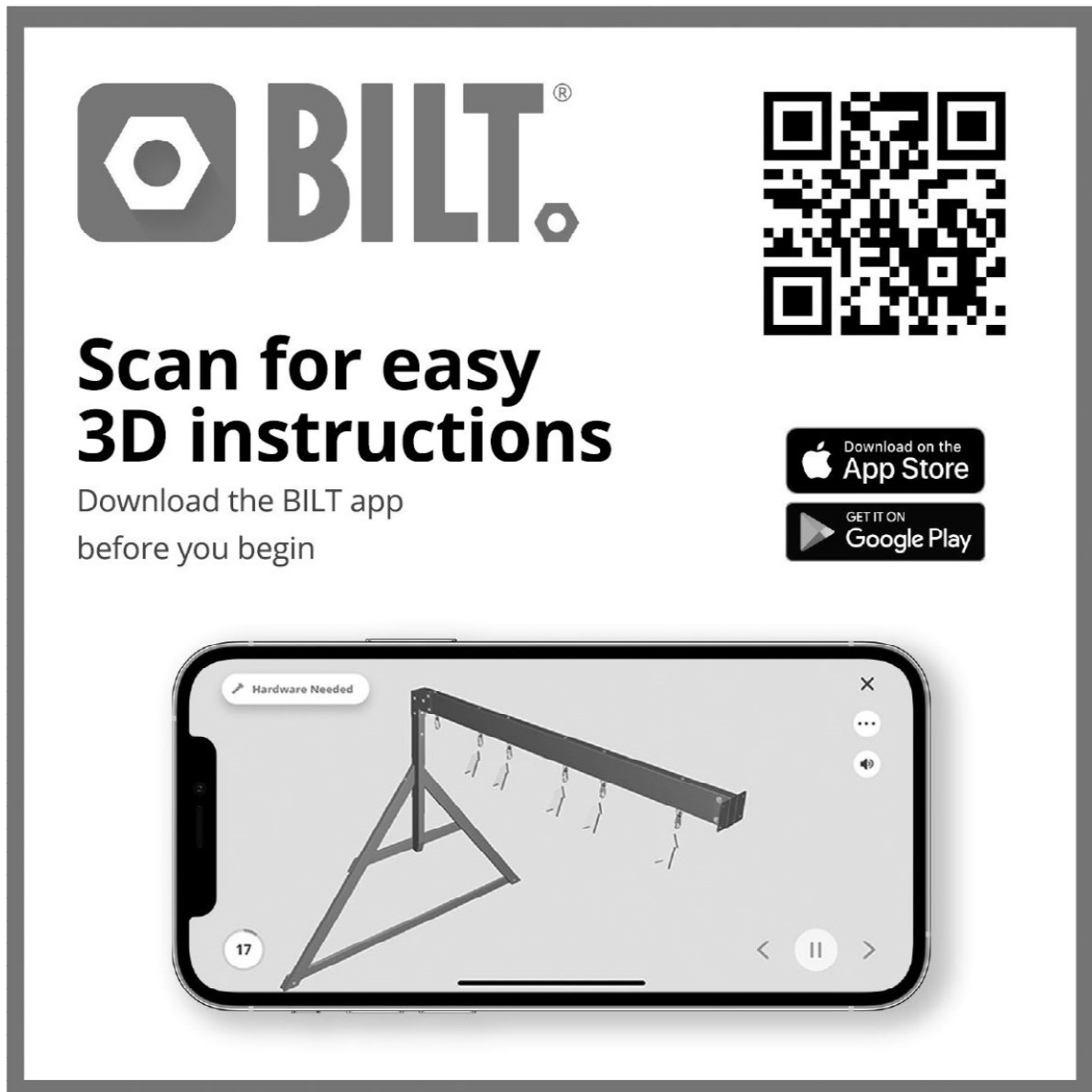


Level 24"

PRE-ASSEMBLY STEP 3 - CHOOSE YOUR ASSEMBLY METHOD

There are several types of assembly instructions available to you.

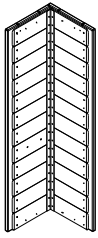
1. Printed Assembly Manual included with your set
2. BILT APP - 3D interactive instructions
3. Combination of the Printed Manual and BILT APP (Note: Step numbers can differ between the two methods)



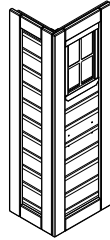
The advertisement features the BILT logo (a hexagon with a dot) and the word "BILT." in a large, bold, sans-serif font. To the right is a large QR code. Below the logo, the text "Scan for easy 3D instructions" is written in a large, bold font, followed by "Download the BILT app before you begin" in a smaller font. To the right of this text are two buttons: "Download on the App Store" with the Apple logo and "GET IT ON Google Play" with the Google Play logo. At the bottom, a smartphone screen displays a 3D assembly instruction for step 17, showing a metal frame with a horizontal bar and several hanging components. The screen includes a "Hardware Needed" label, a close button (X), a menu button (three dots), a volume icon, and navigation arrows.



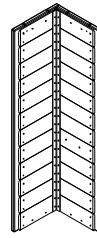
STEP 1



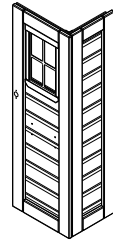
WP3
(x1) | LEFT REAR CORNER PANEL - W2A02993



WP1
(x1) | LEFT FRONT CORNER PANEL - W2A02991



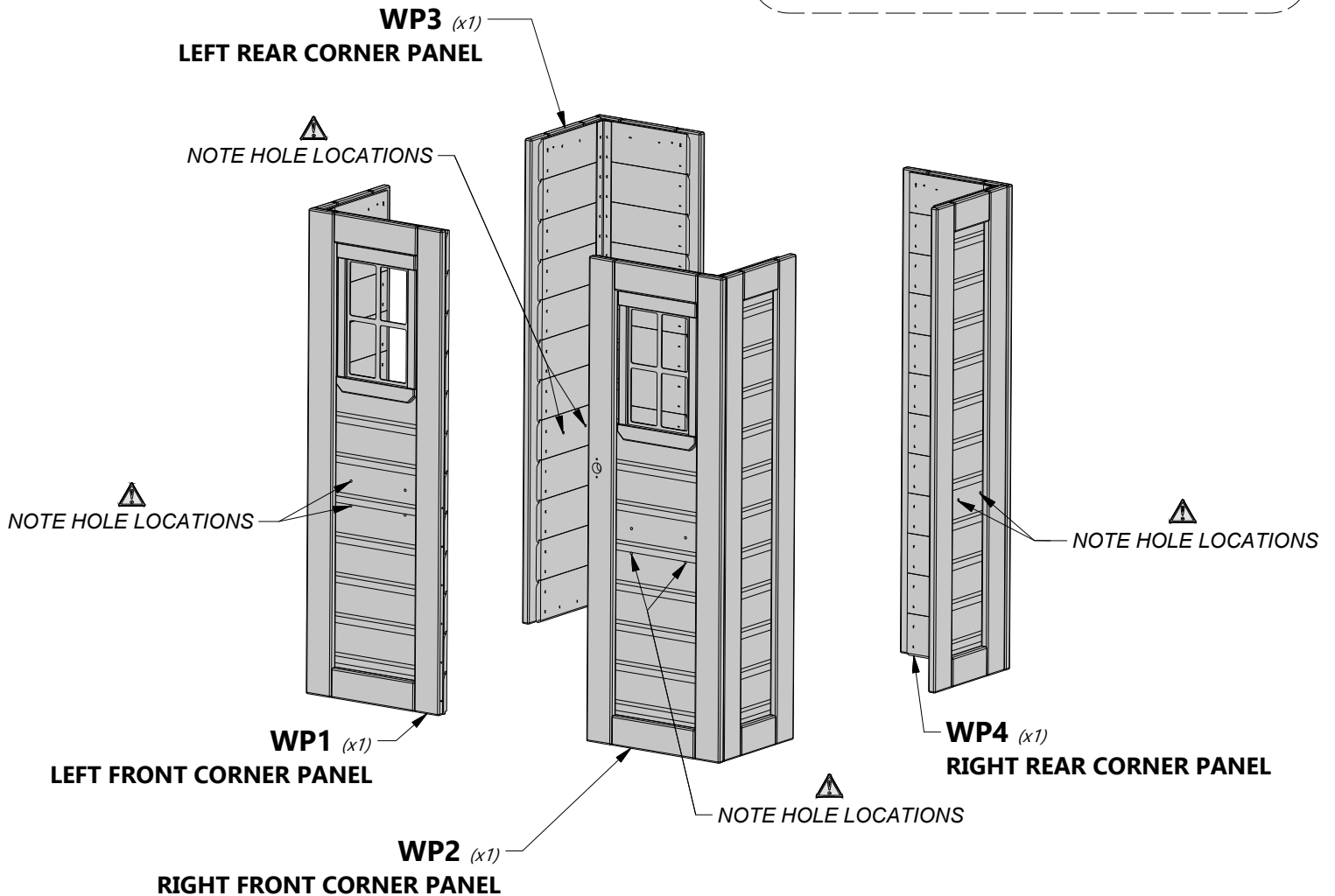
WP4
(x1) | RIGHT REAR CORNER PANEL - W2A02994



WP2
(x1) | RIGHT FRONT CORNER PANEL - W2A02992



NOTE:
POSITION WALL PANELS AS SHOWN BELOW. VERIFY THE CORRECT PANEL PLACEMENT BY CHECKING THE HOLE LOCATIONS AS SHOWN BELOW.

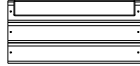




STEP 2



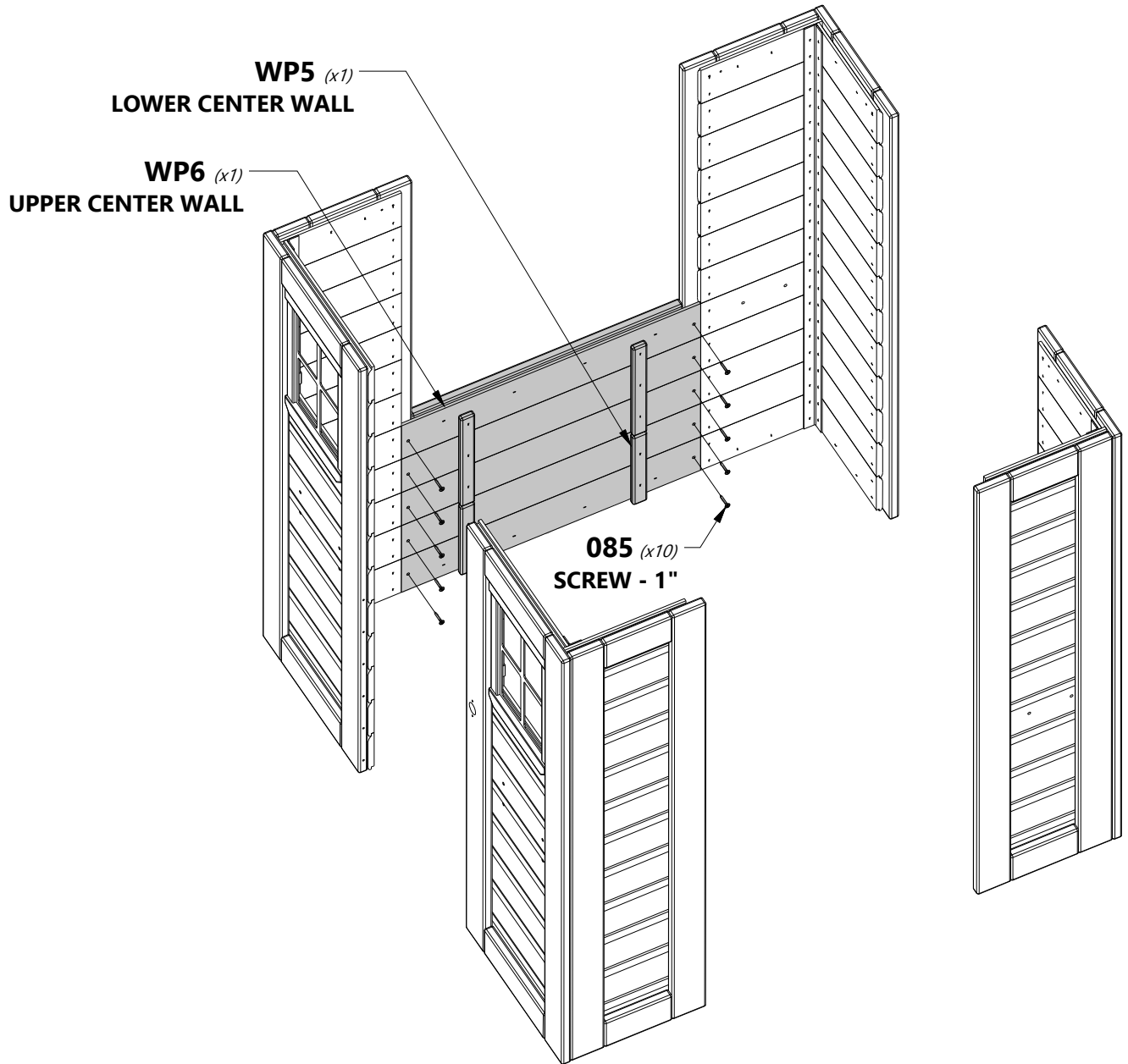
WP5 | LOWER CENTER WALL - W2A02978
(x1) | 1 1/2"x6 5/8"x20 7/8" (38x167x530)



WP6 | UPPER CENTER WALL - W2A02979
(x1) | 1 1/2"x9 3/4"x20 7/8" (38x248x530)

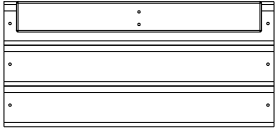


H100085 | SCREW PFH
(x10) | 8x1





STEP 3



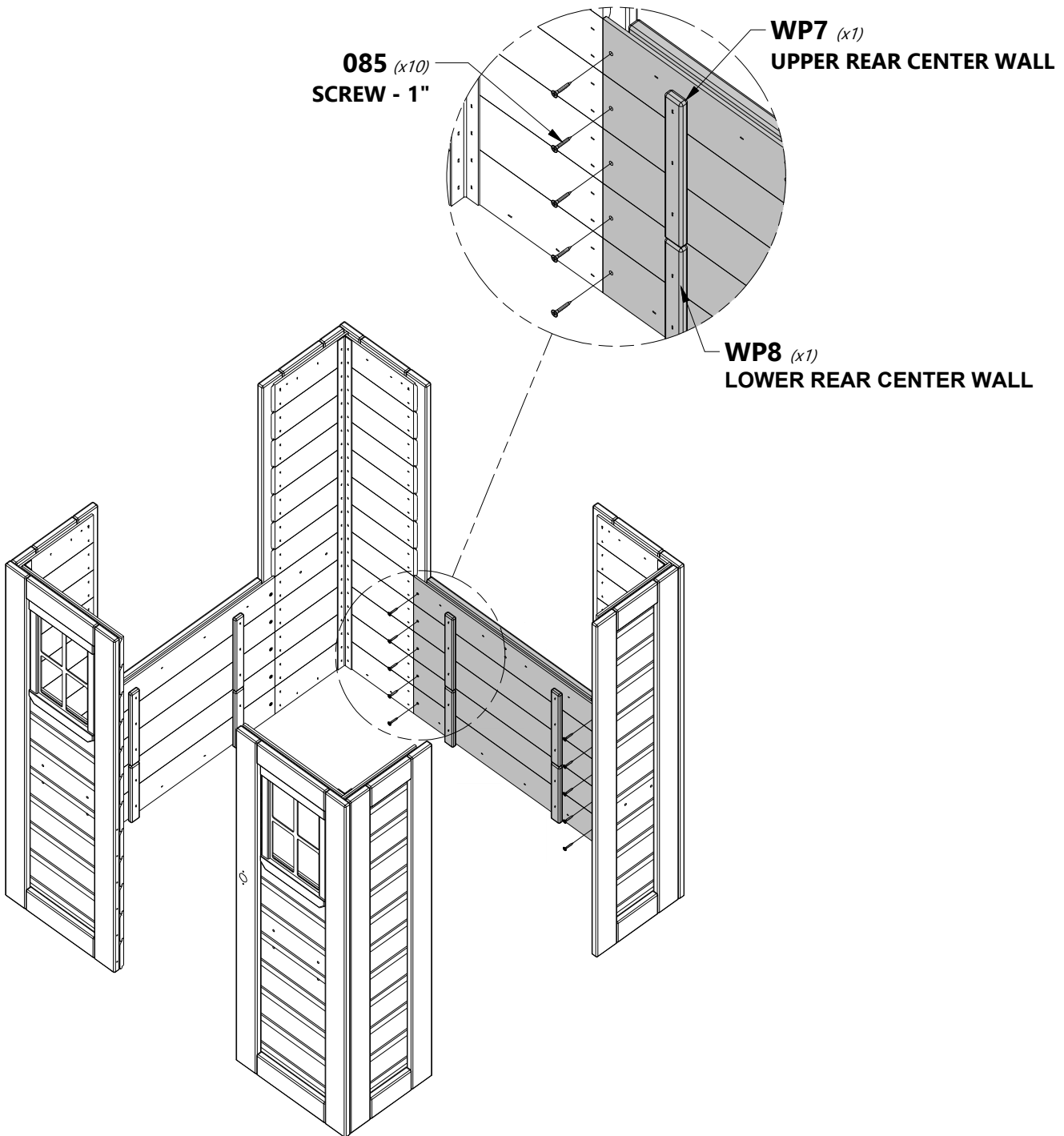
WP7 | UPPER REAR CENTER WALL - W2A02989
(x1) | 1 1/2"x21 1/8"x9 3/4" (38x536x248)



WP8 | LOWER REAR CENTER WALL - W2A02990
(x1) | 1 1/2"x6 5/8"x21 1/8" (38x167x536)



H100085 | SCREW PFH
(x10) | 8x1

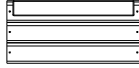




STEP 4



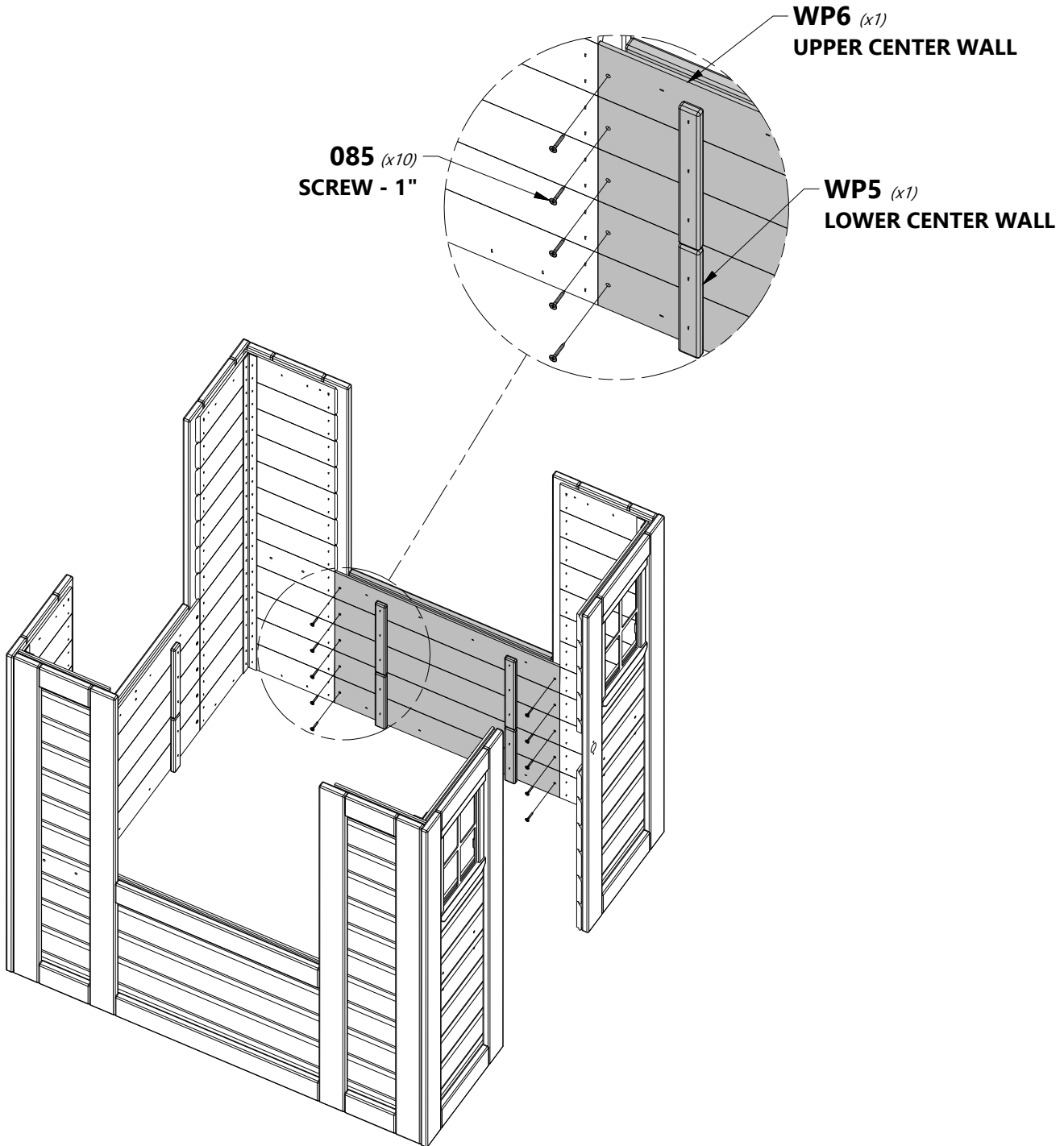
WP5 | LOWER CENTER WALL - W2A02978
(x1) | 1 1/2"x6 5/8"x20 7/8" (38x167x530)



WP6 | UPPER CENTER WALL - W2A02979
(x1) | 1 1/2"x9 3/4"x20 7/8" (38x248x530)

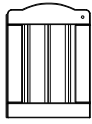


H100085 | SCREW PFH
(x10) | 8x1





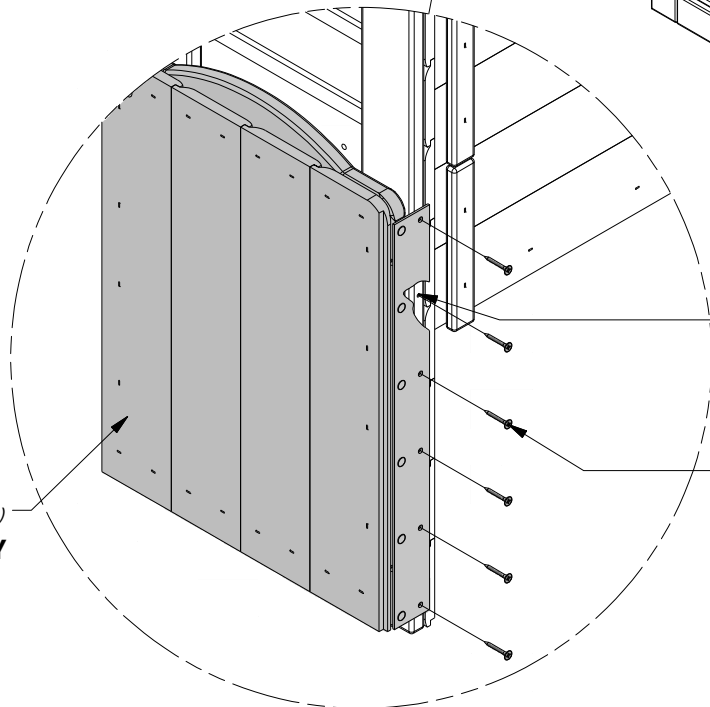
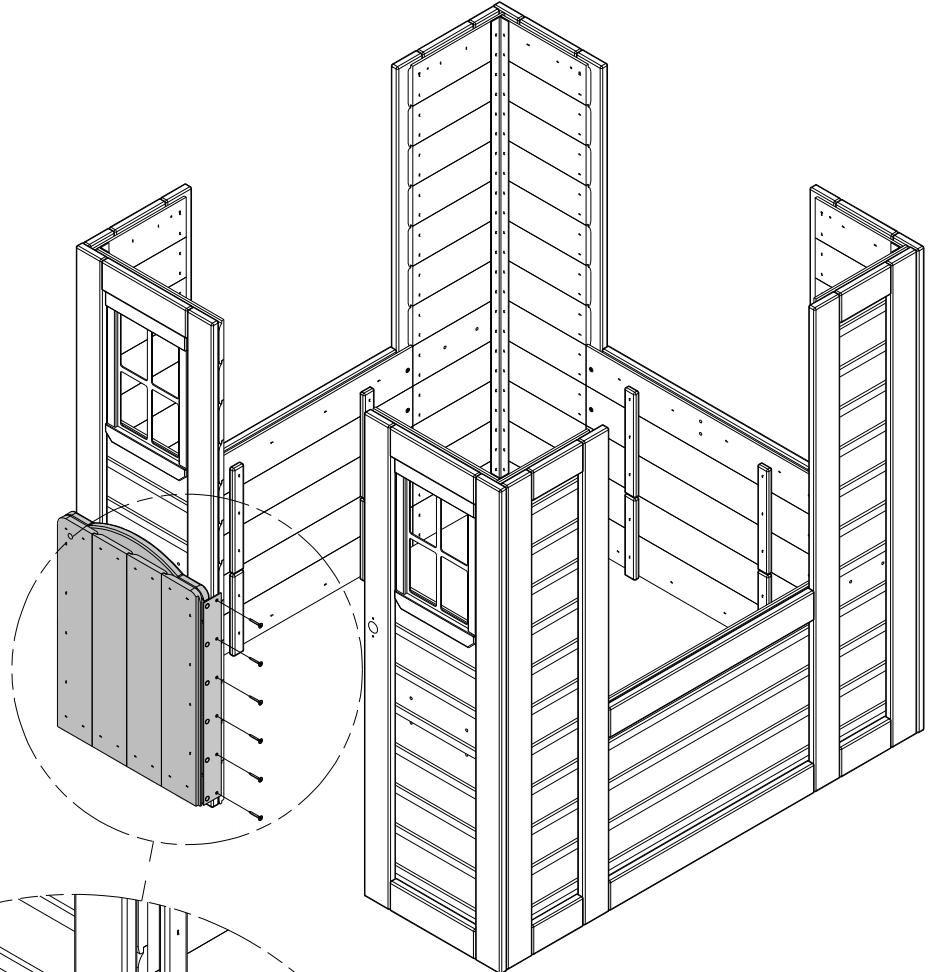
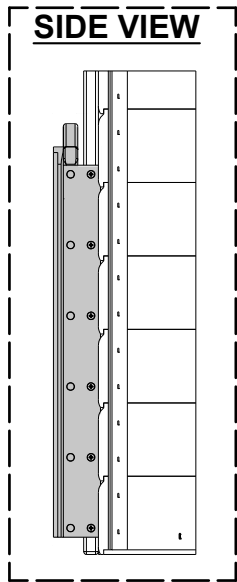
STEP 5



DP1 | DOOR ASSEMBLY - W2A02980
(x1) | 1 1/4" x 17 15/16" x 13 1/8" (32x456x334)



H100088 | SCREW PFH
(x6) | 8x1 1/8



 NOTE PILOT HOLES

088 (x6)
SCREW - 1 1/8"

DP1 (x1)
DOOR ASSEMBLY



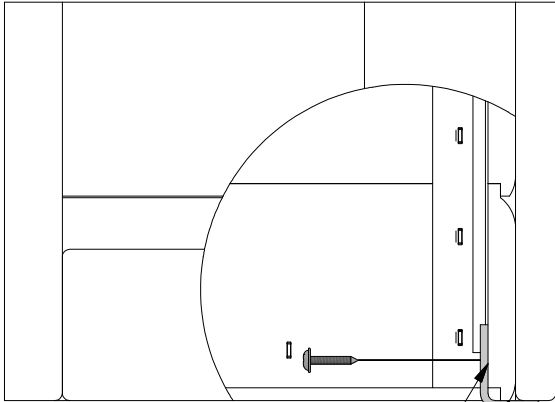
STEP 6



A4M00517 | METAL TIE STRAP
(x1)



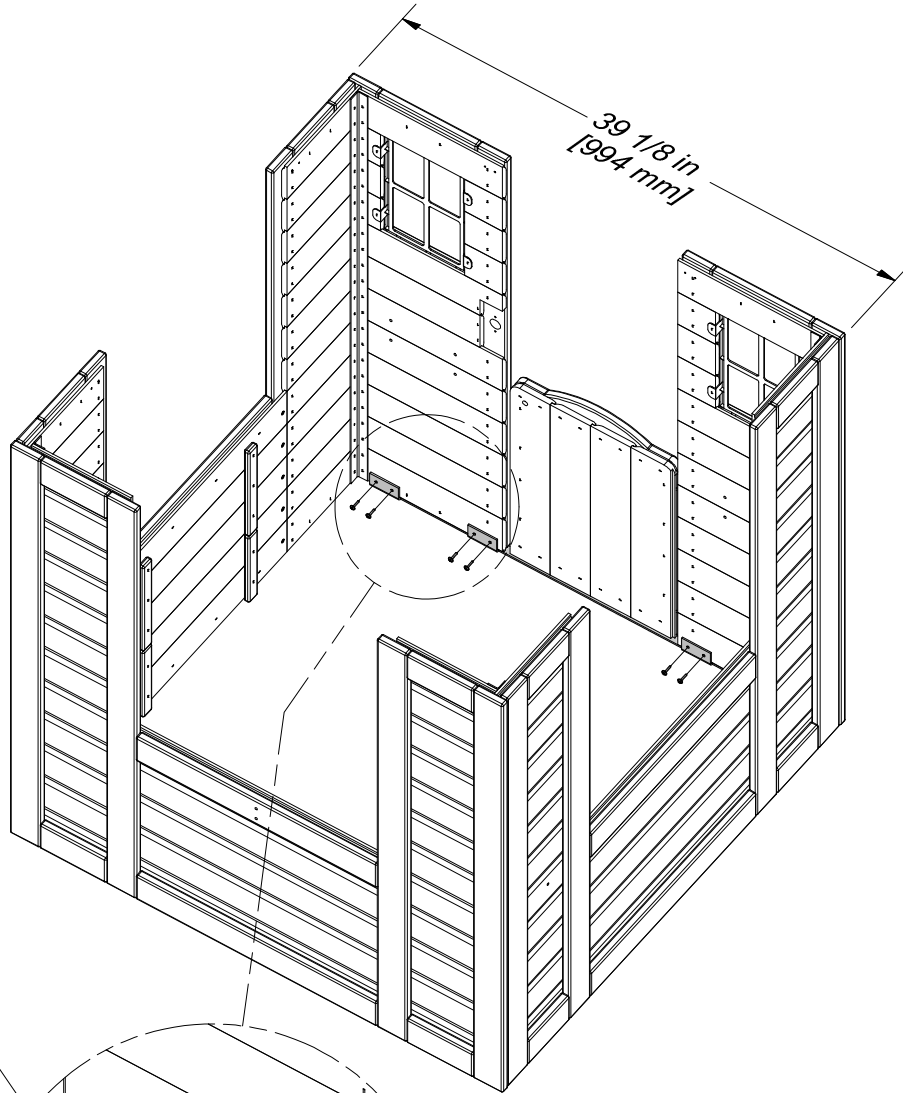
H100070 | SCREW PWH
(x8) | 8x3/4



SIDE VIEW



**NOTE: FLUSH WITH
SIDE & BOTTOM.**



**NOTE: USING TIE STRAP AS A TEMPLATE,
DRILL 1/8 PILOT HOLES FOR HARDWARE.**

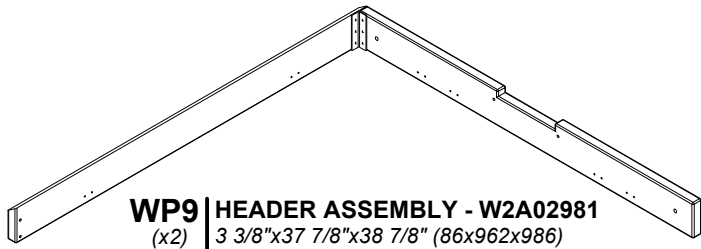
070 (x8)
SCREW - 8x3/4"

1/4 in
[6 mm]

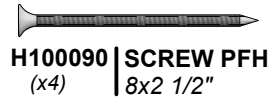
517 (x1)
METAL TIE STRAP



STEP 7



WP9 | HEADER ASSEMBLY - W2A02981
(x2) 3 3/8"x37 7/8"x38 7/8" (86x962x986)

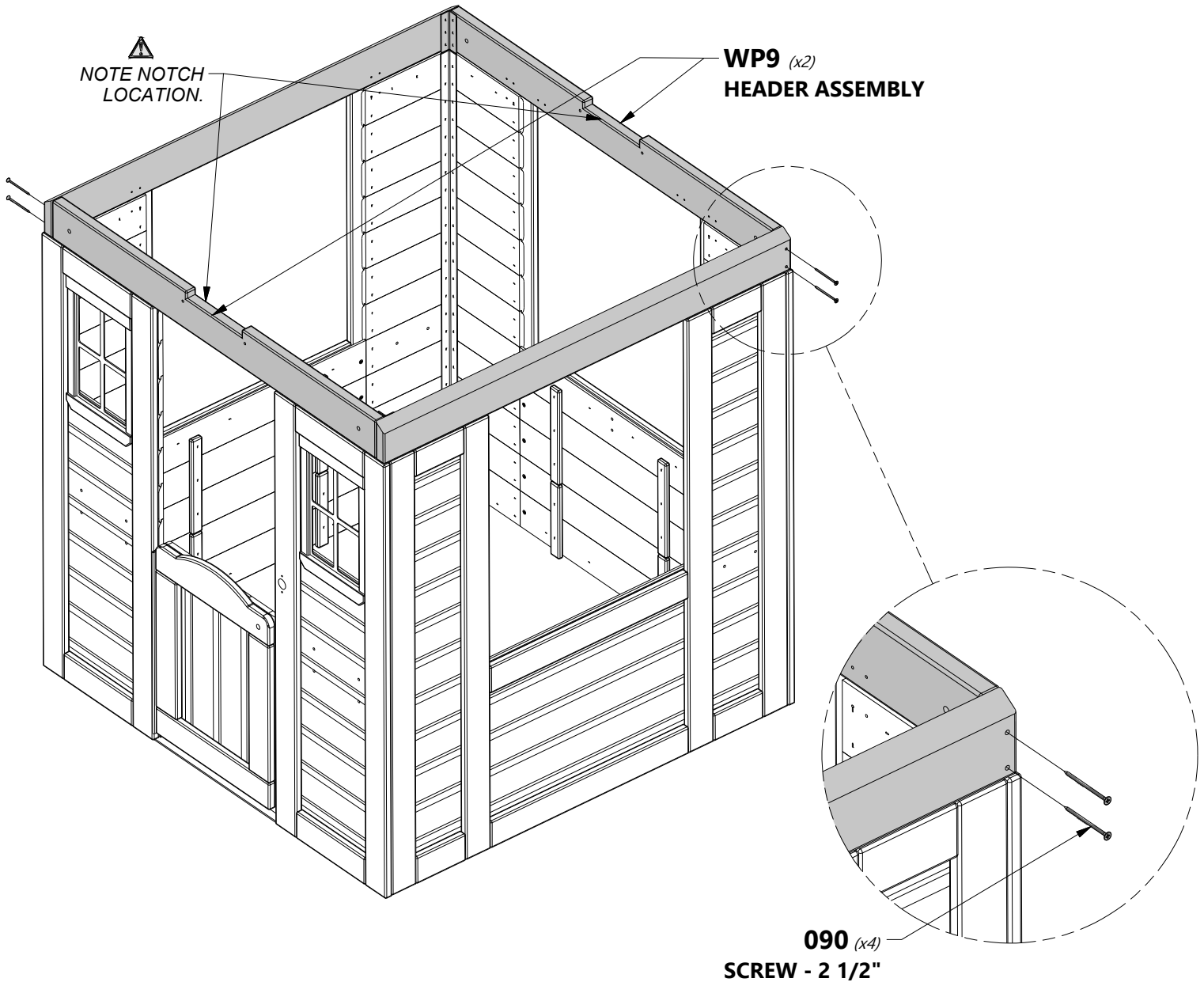


H100090 | SCREW PFH
(x4) 8x2 1/2"



NOTE:

REST HEADER ASSEMBLIES ON THE WALL PANELS AND ASSEMBLY AS SHOWN.





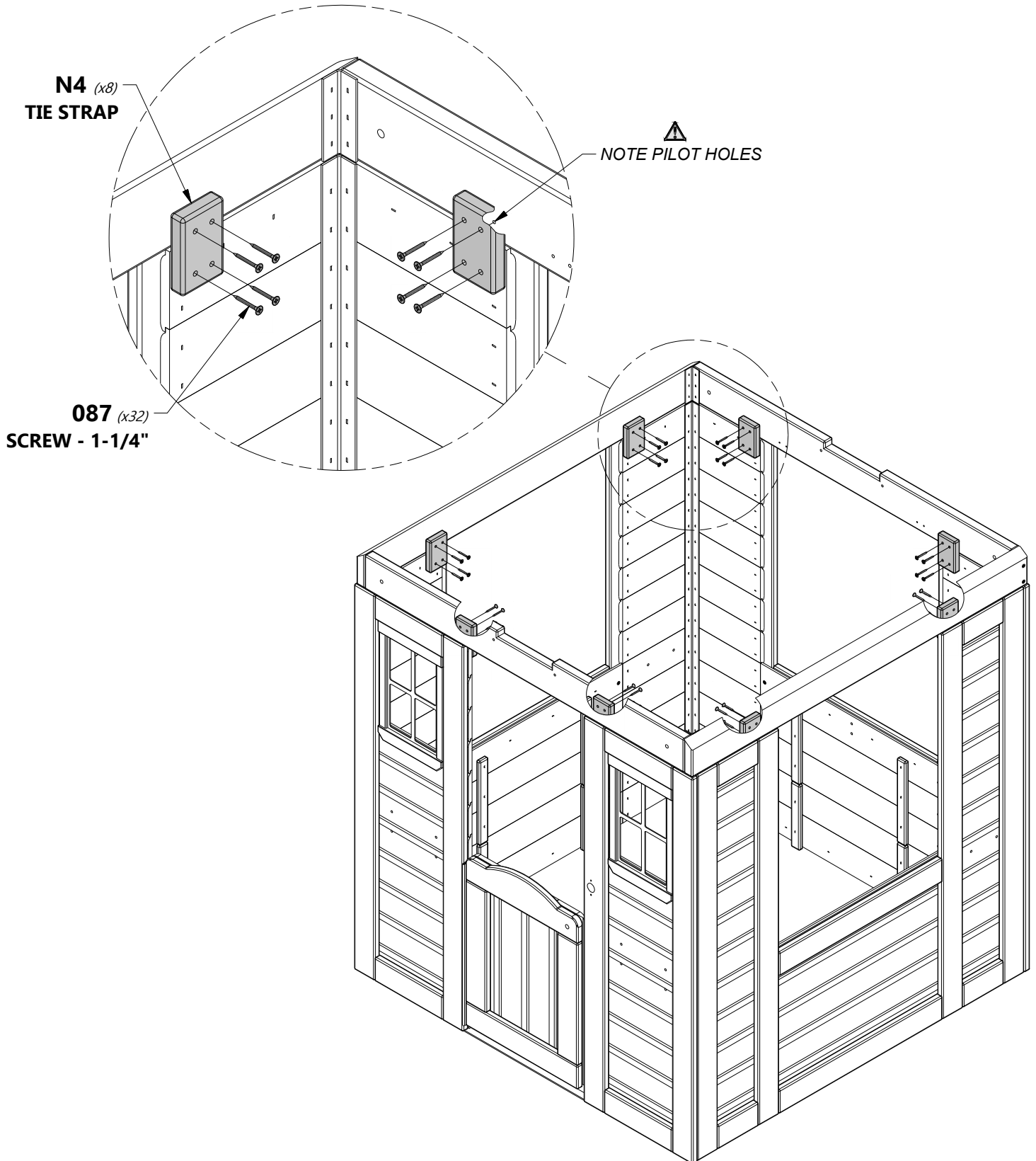
STEP 8



N4 | TIE STRAP - W4L13443
(x8) | 5/8"x2"x3 1/8" (16x50x80)



H100087 | SCREW PFH
(x32) | 8x1 1/4"





STEP 9

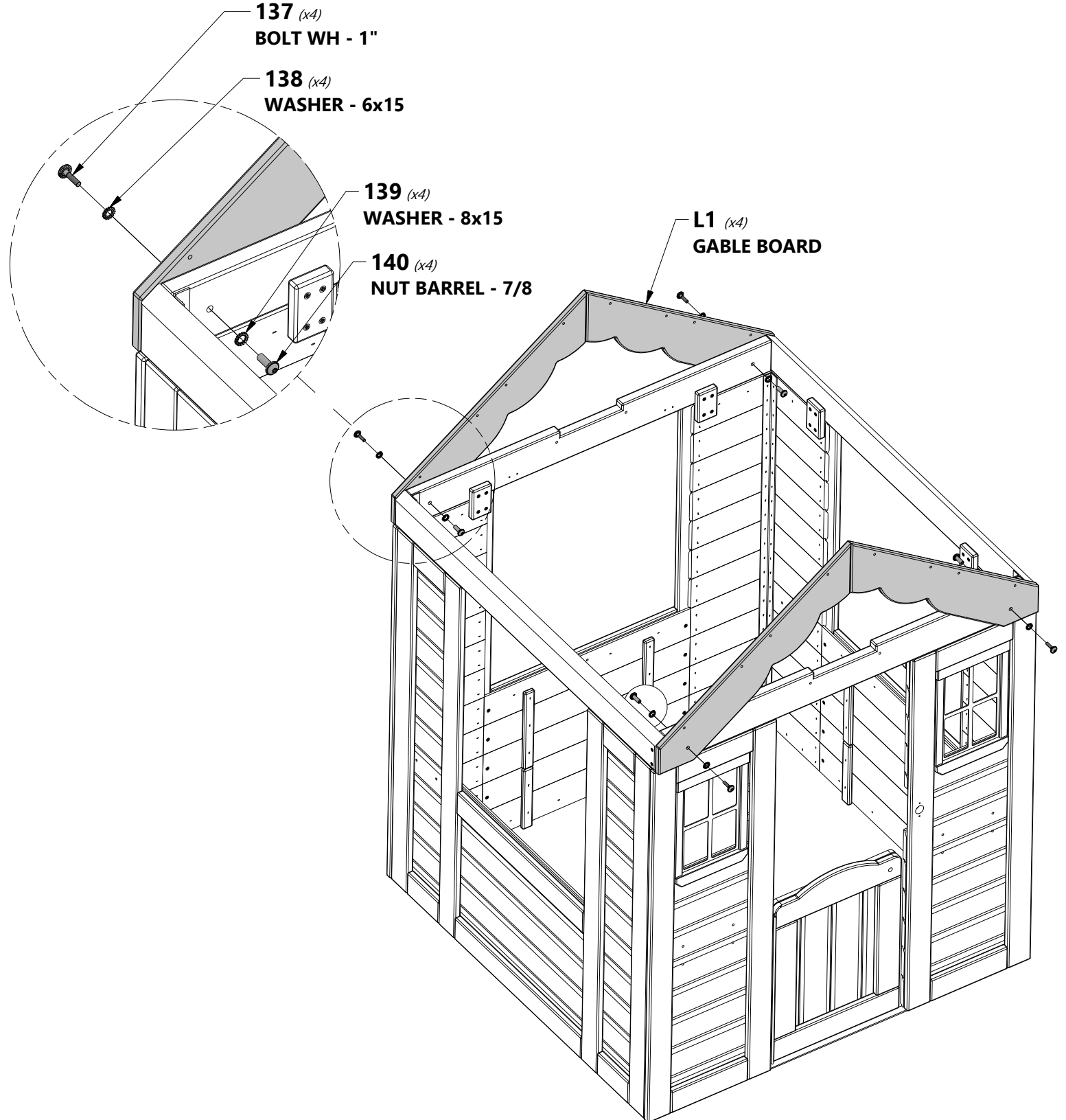
L1 | GABLE BOARD - W4L13447
(x4) | 5/8"x4 3/8"x25 3/8" (16x112x643)

H100137 | BOLT WH
(x4) | 1/4x1

H100138 | WASHER LOCK EXT
(x4) | 6x15

H100139 | WASHER LOCK EXT
(x4) | 8x15

H100140 | NUT BARREL WH
(x4) | 1/4x7/8





STEP 10

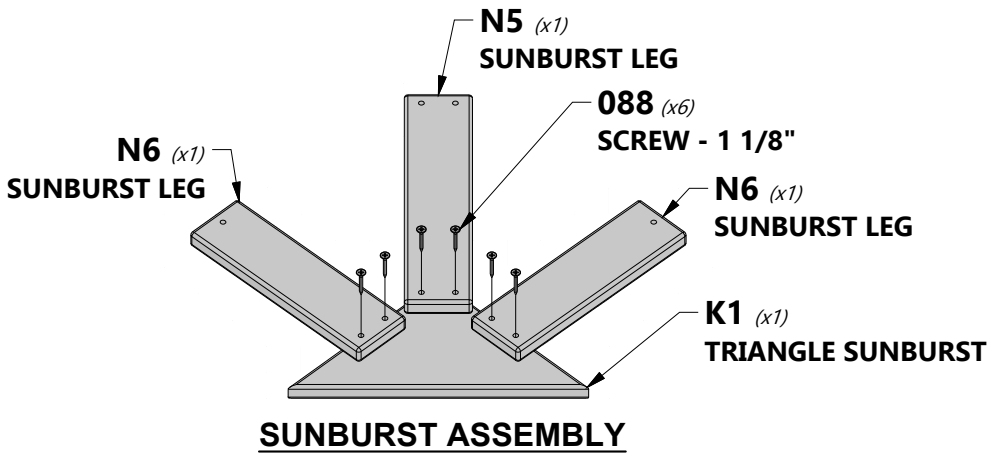
K1 | TRIANGLE SUNBURST - W4L13450
(x2) | 5/8"x5 1/4"x10 3/8" (16x134x265)

N5 | SUNBURST LEG - W4L13451
(x2) | 5/8"x2 3/8"x10 1/4" (16x60x260)

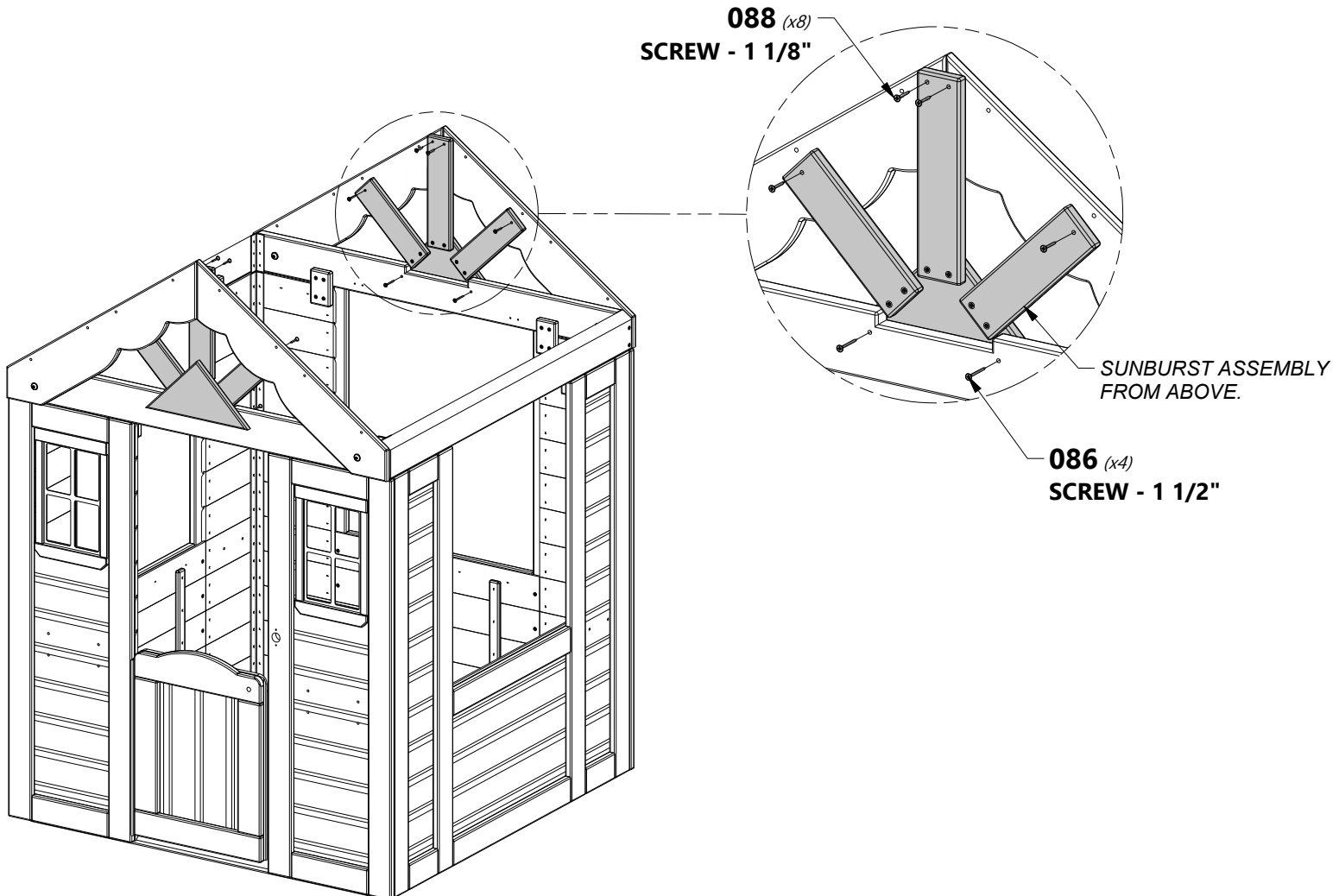
N6 | SUNBURST LEG - W4L13452
(x4) | 5/8"x2 3/8"x8 1/4" (16x60x210)

H100088 | SCREW PFH
(x20) | 8x1 1/8"

H100086 | SCREW PFH
(x4) | 8x1 1/2"

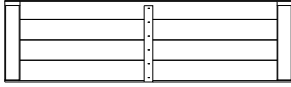


NOTE: REPEAT STEP TO COMPLETE TWO SUNBURST ASSEMBLIES.





STEP 11

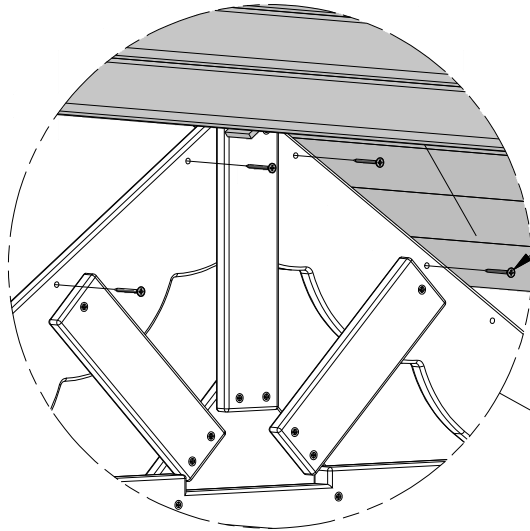


RP2 | UPPER ROOF PANEL - W2A02983
(x2) | 1 3/8"x12 3/4"x44 7/8" (35x324x1140)

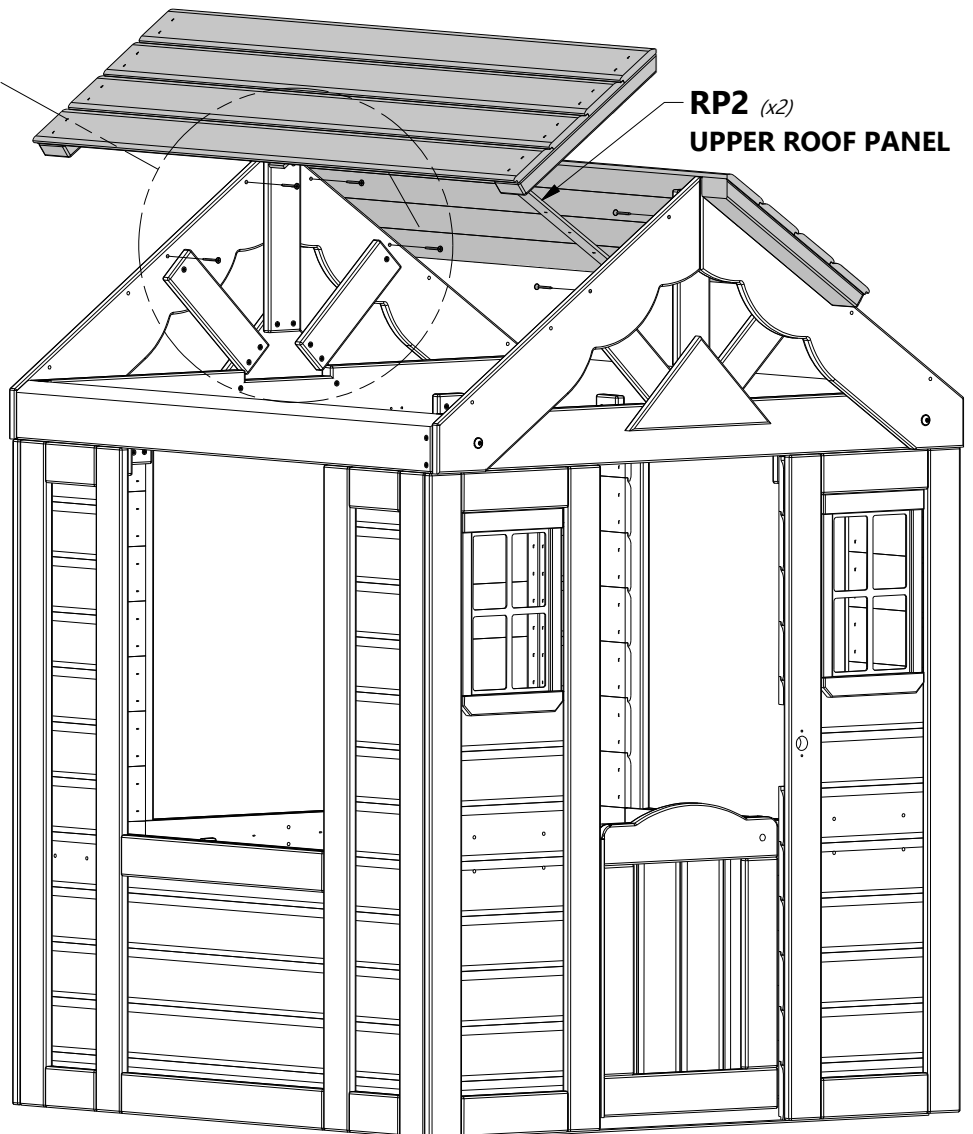


H100086 | SCREW PFH
(x8) | 8x1 1/2

REPEAT ON OPPOSITE END



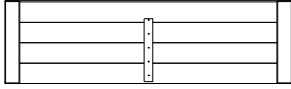
086 (x4)
SCREW - 1 1/2"



RP2 (x2)
UPPER ROOF PANEL



STEP 12

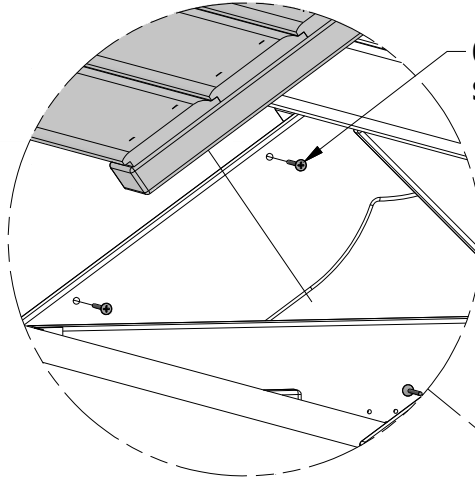


RP1 | LOWER ROOF PANEL - W2A02982
(x2) | 1 3/8"x13"x44 7/8" (35x329x1140)

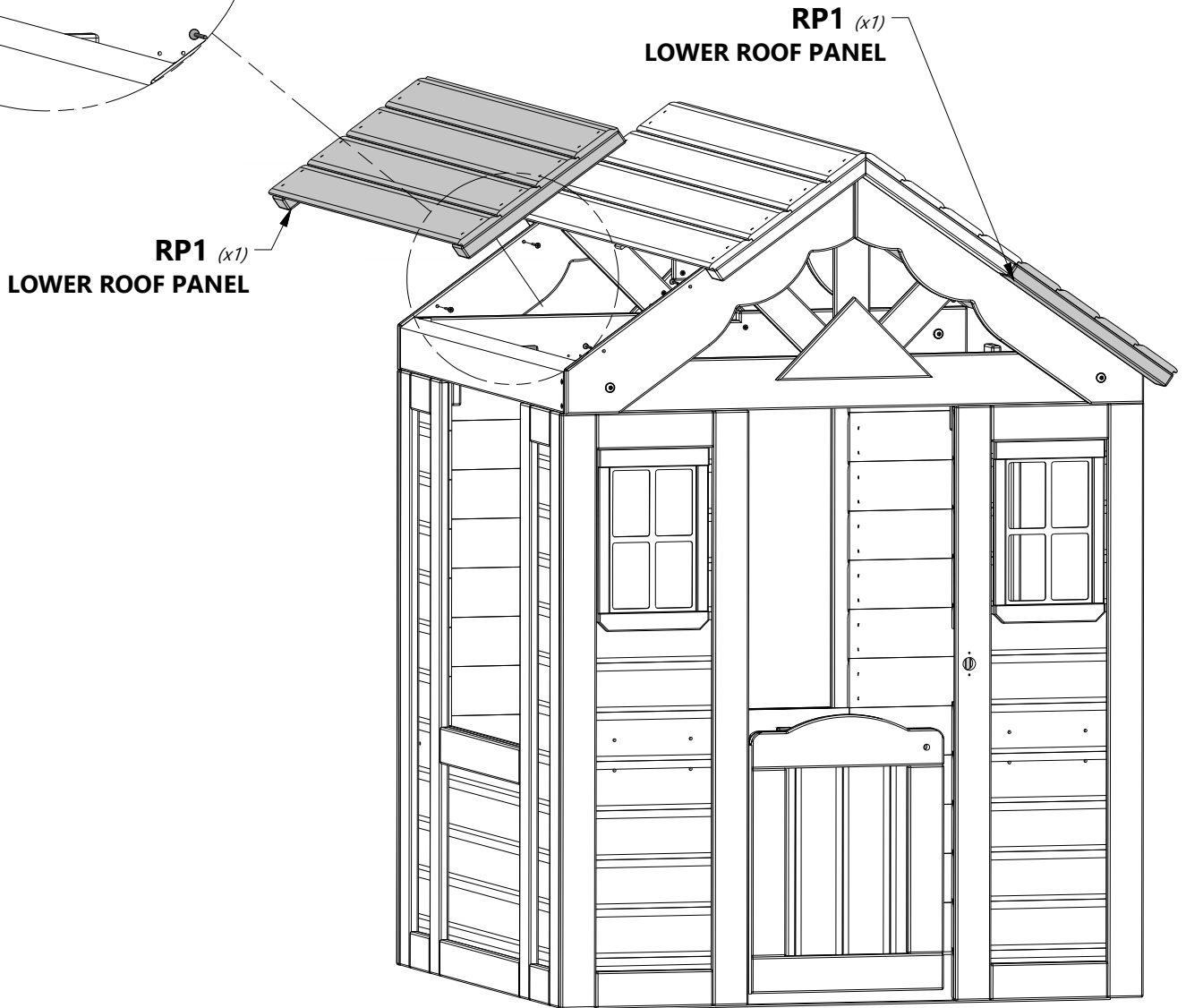


H100086 | SCREW PFH
(x8) | 8x1 1/2

REPEAT ON OPPOSITE END

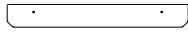


086 (x4)
SCREW - 1 1/2"





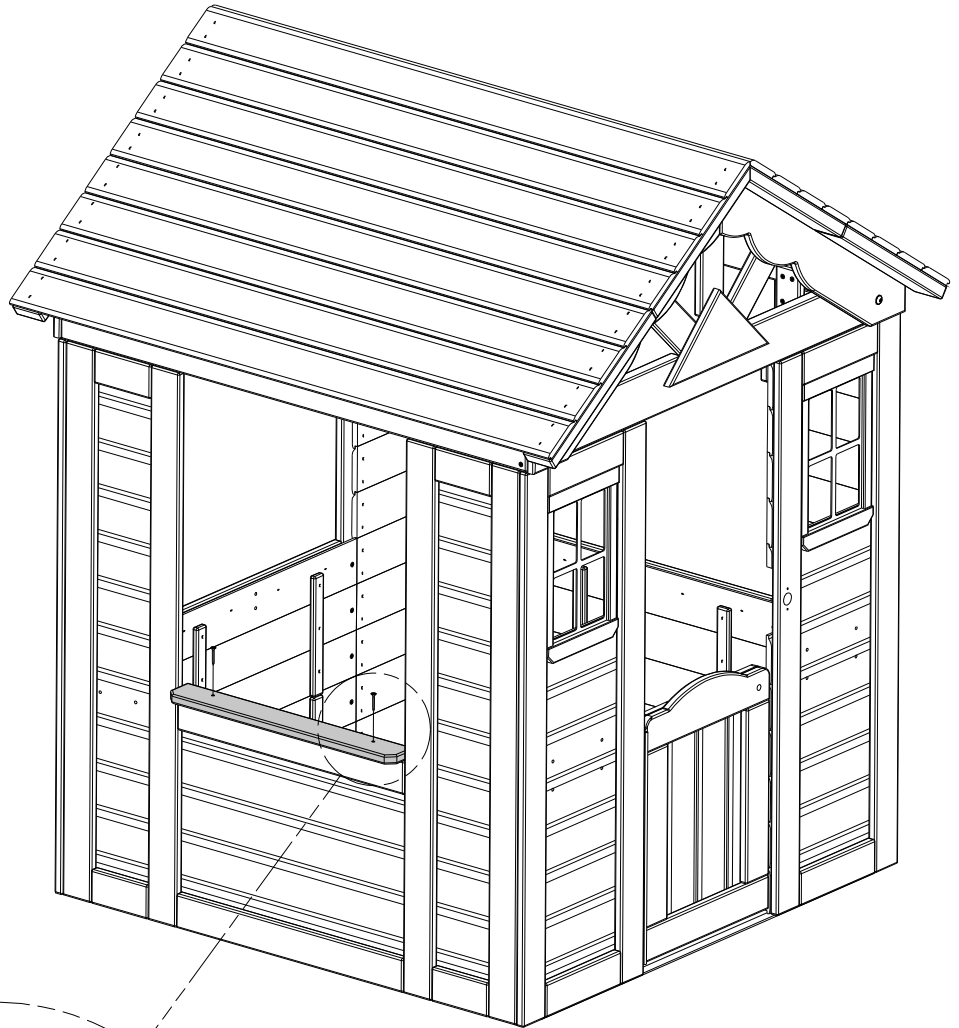
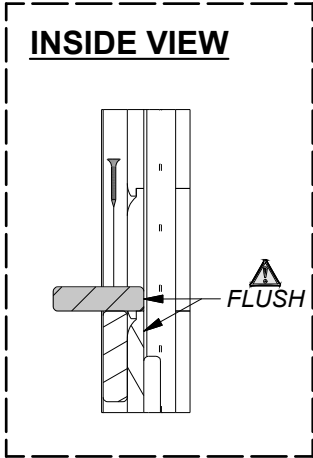
STEP 13



N1 | SIDE WINDOW SHELF - W4L13453
(x1) | 5/8"x2 3/8"x18 7/8" (16x60x479)

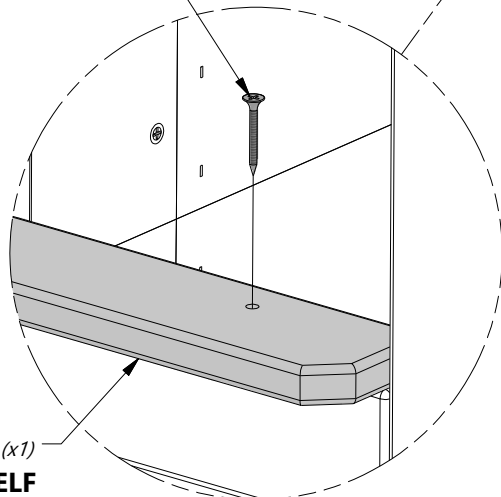


H100087 | SCREW PFH
(x2) | 8x1 1/4



087 (x2)
SCREW - 1-1/4"

N1 (x1)
SIDE WINDOW SHELF





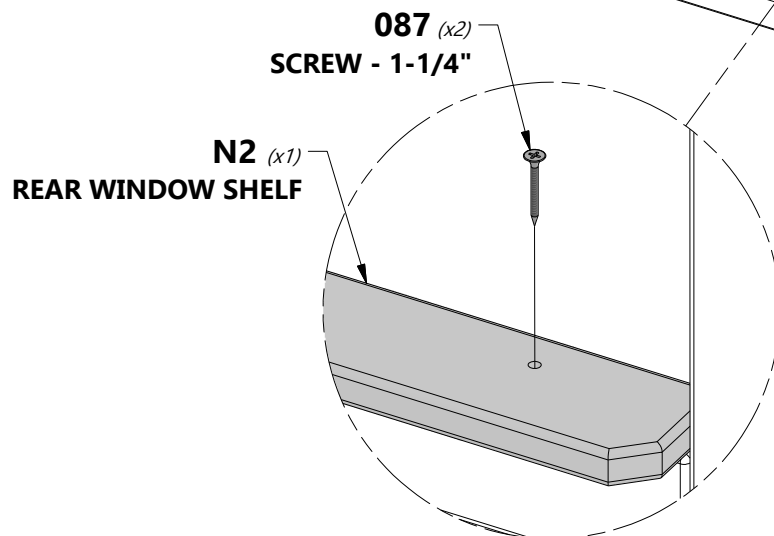
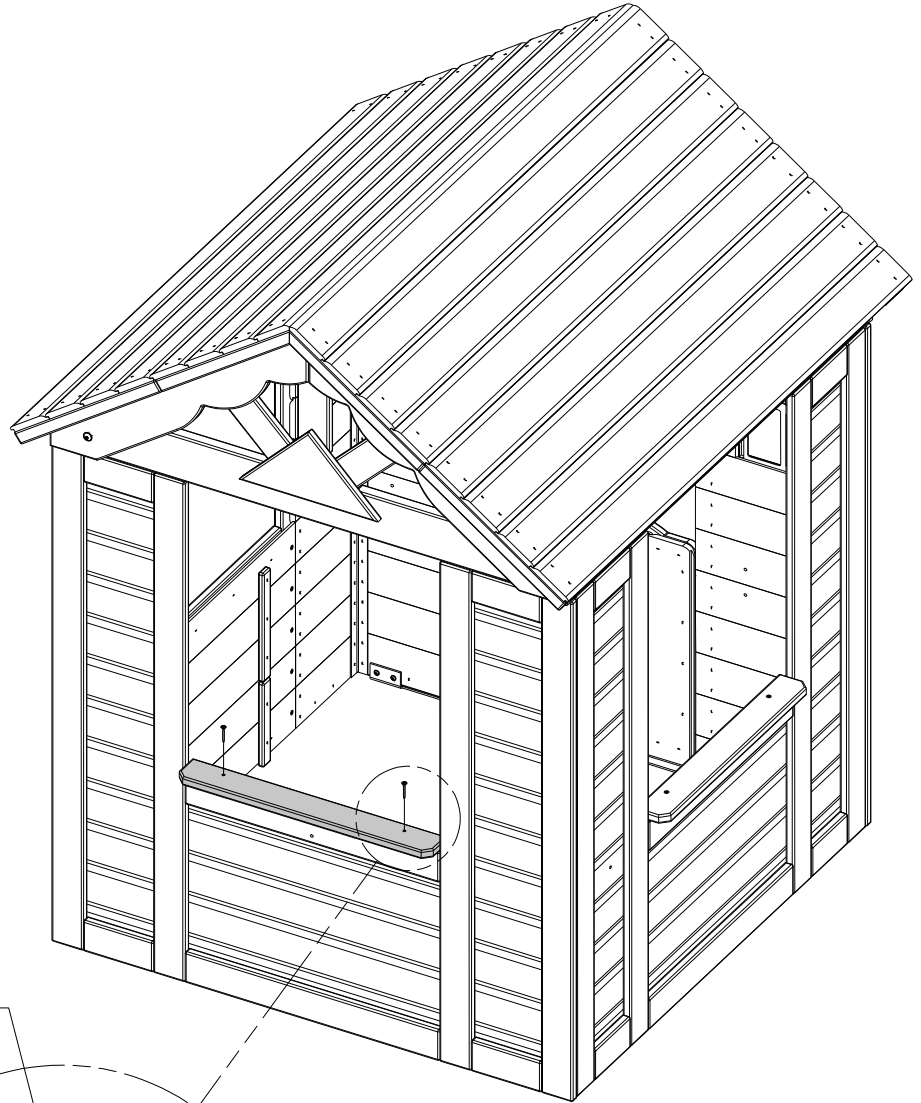
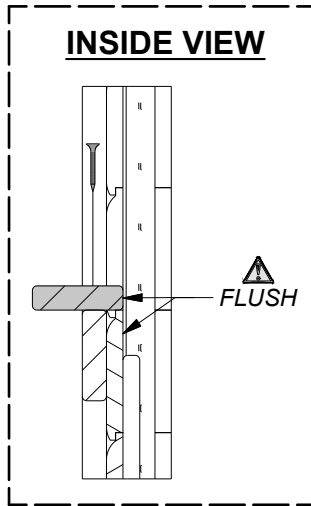
STEP 14



N2 | REAR WINDOW SHELF - W4L13448
(x1) | 5/8"x2 3/8"x19 1/8" (16x60x485)

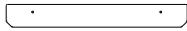


H100087 | SCREW PFH
(x2) | 8x1 1/4





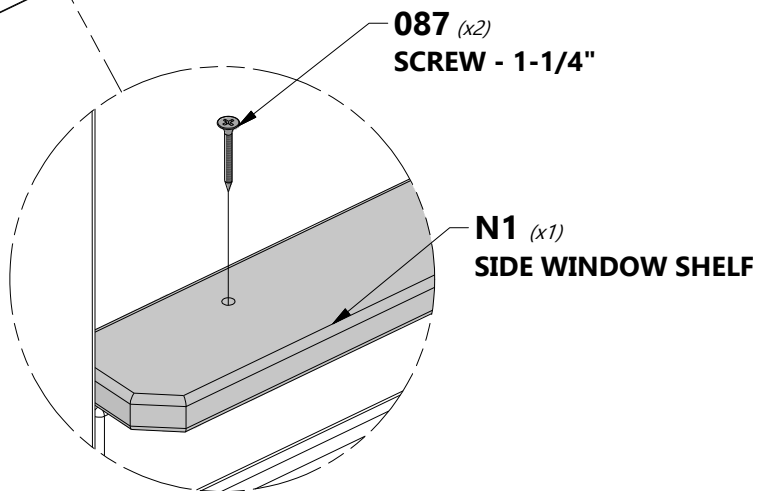
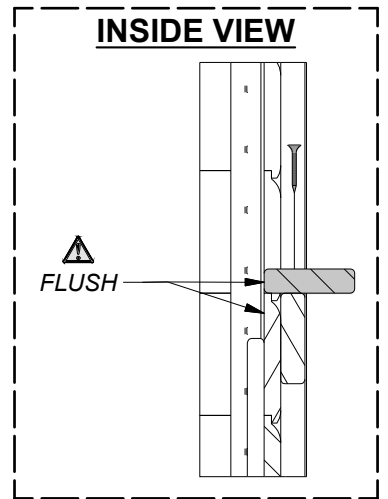
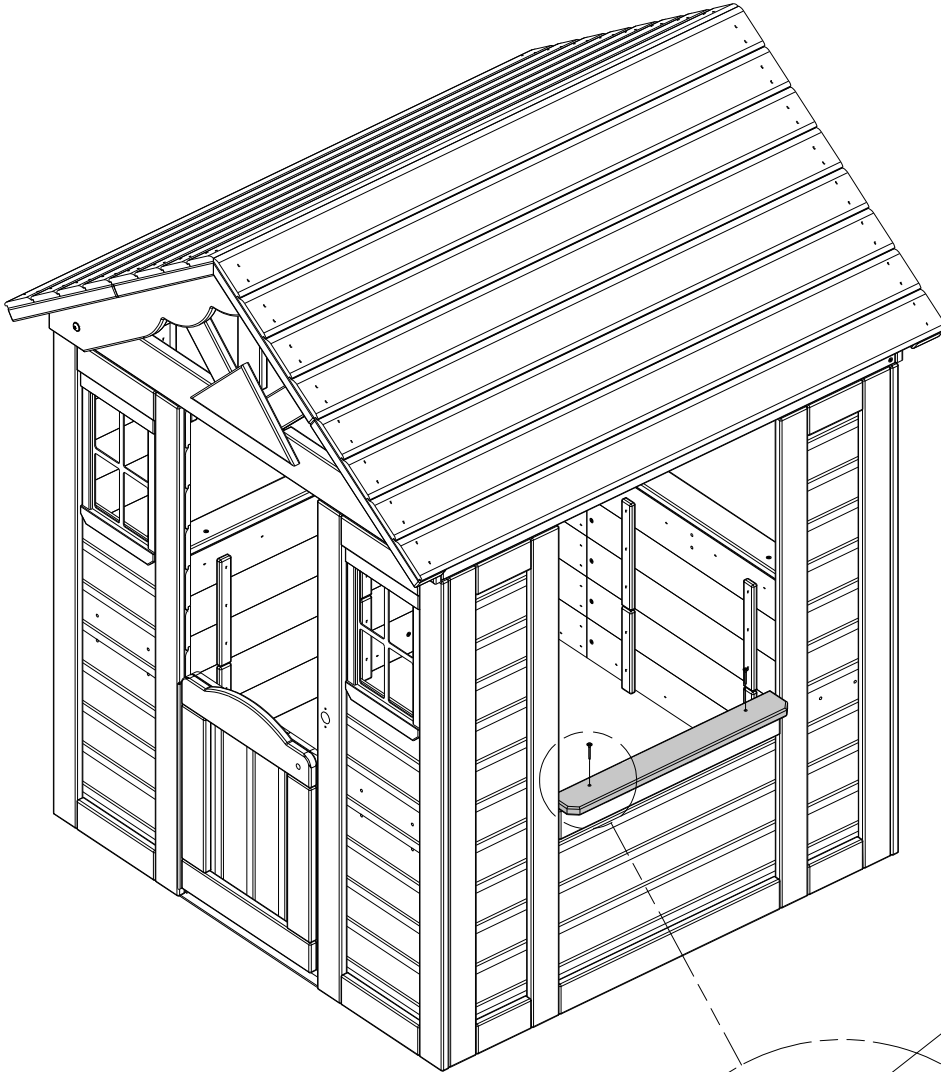
STEP 15



N1 | SIDE WINDOW SHELF - W4L13453
(x1) | 5/8"x2 3/8"x18 7/8" (16x60x479)



H100087 | SCREW PFH
(x2) | 8x1 1/4





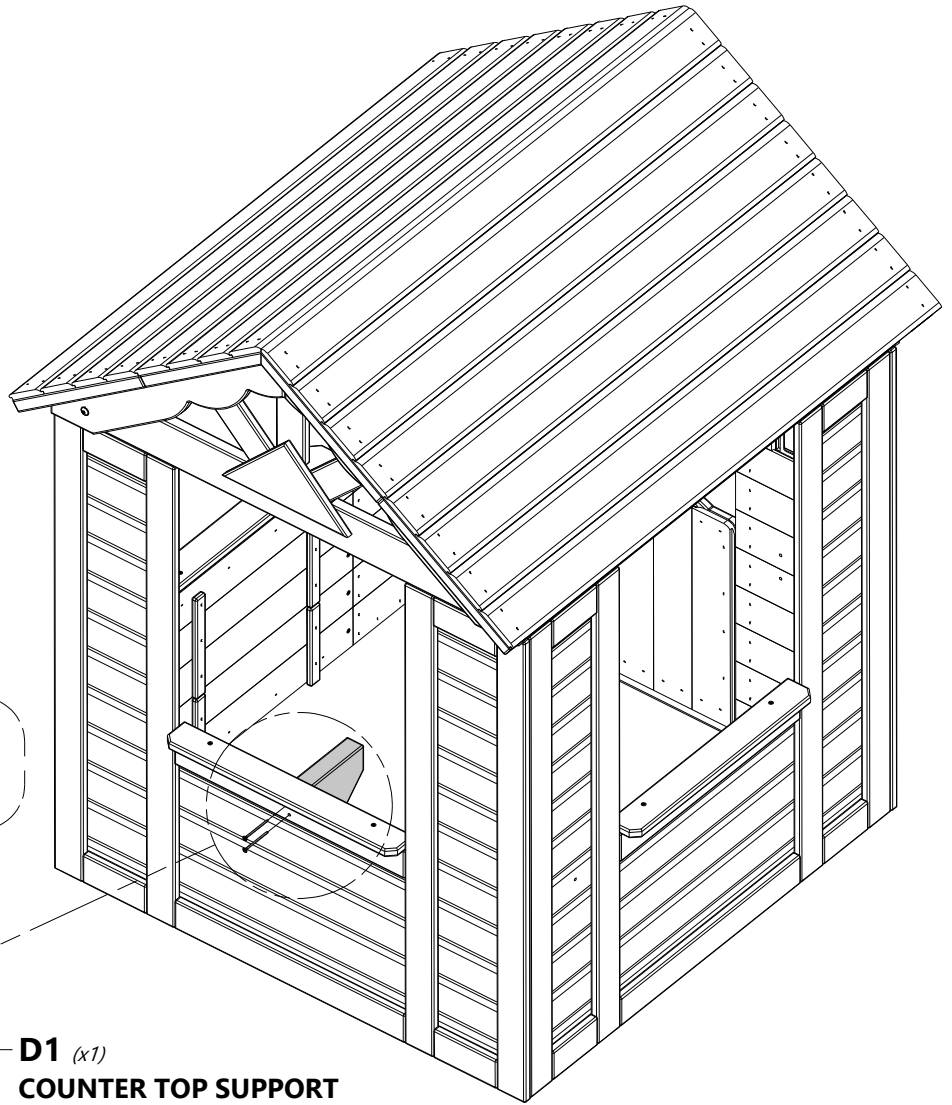
STEP 16



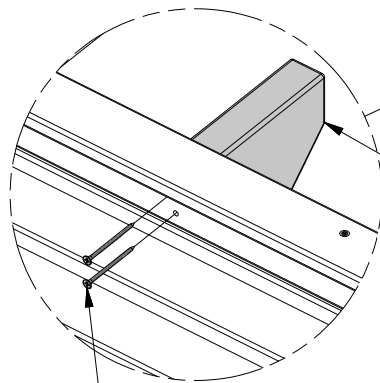
D1 | COUNTER TOP SUPPORT - W4L13444
(x1) | 1 3/8"x4 3/8"x5 7/8" (36x112x150)



H100090 | SCREW PFH
(x2) | 8x2 1/2"



NOTE:
ALIGN PILOT HOLES IN D1 AND
ASSEMBLE.



D1 (x1)
COUNTER TOP SUPPORT

090 (x2)
SCREW - 2 1/2"



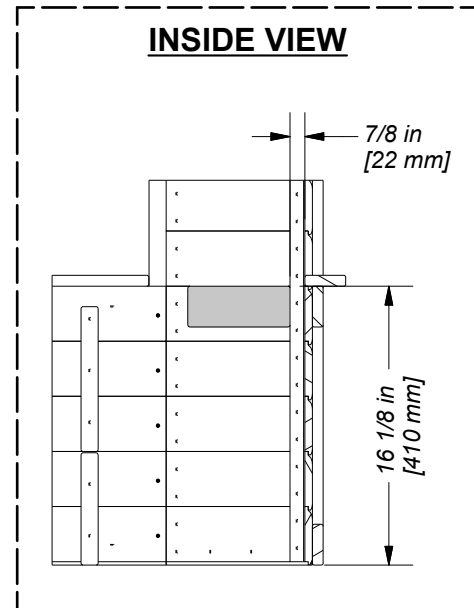
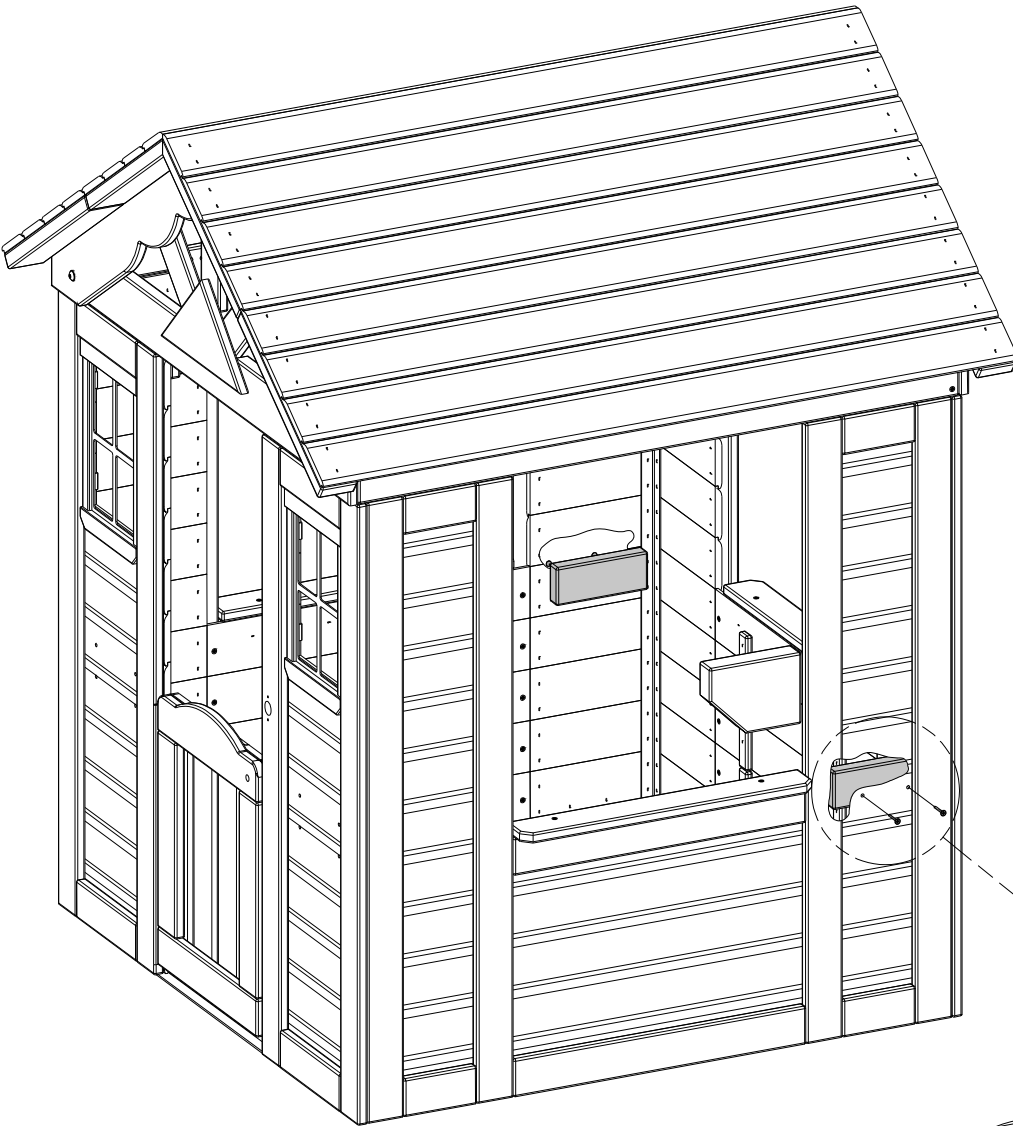
STEP 17



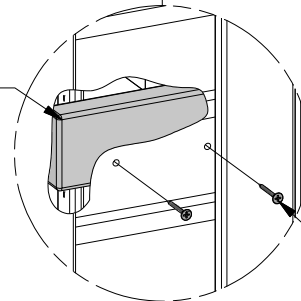
J1 | COUNTER TOP SUPPORT - W4L13445
(x2) | 1"x2 3/8"x5 7/8" (24x60x150)



H100087 | SCREW PFH
(x4) | 8x1 1/4



J1 (x1)
COUNTER TOP SUPPORT



087 (x2)
SCREW - 1-1/4"

REPEAT ON OPPOSITE WALL



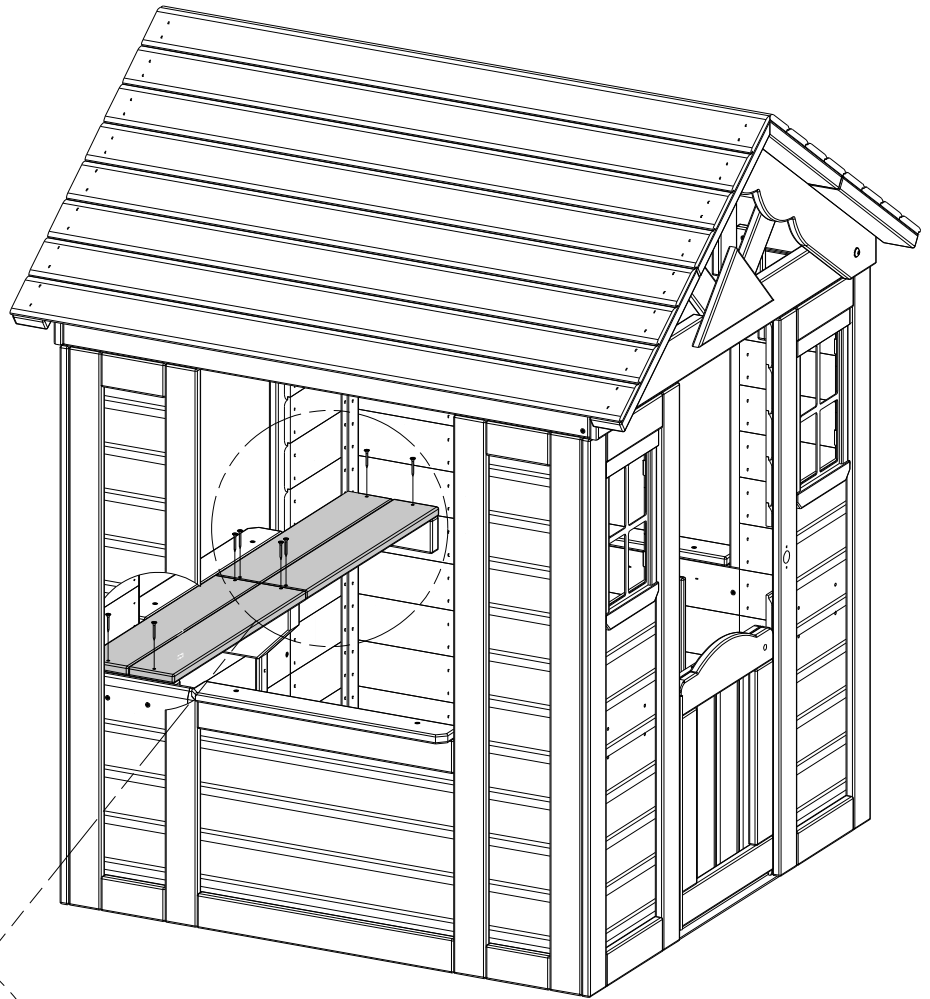
STEP 18



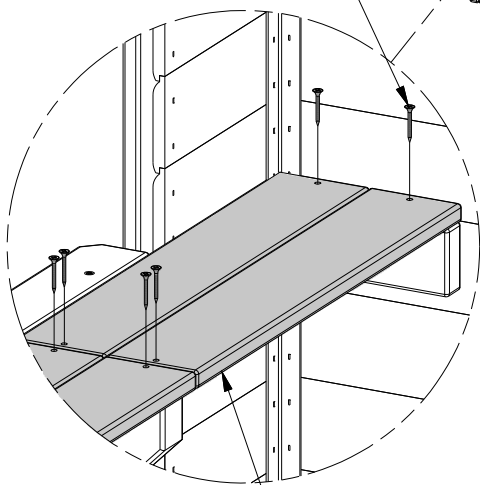
M1 | COUNTER TOP - W4L13446
(x4) | 5/8"x3 3/8"x18 1/2" (16x86x469)



H100087 | SCREW PFH
(x8) | 8x1 1/4



087 (x8)
SCREW - 1-1/4"



M1 (x4)
COUNTER TOP



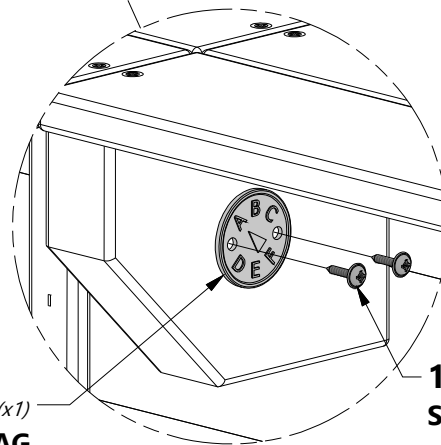
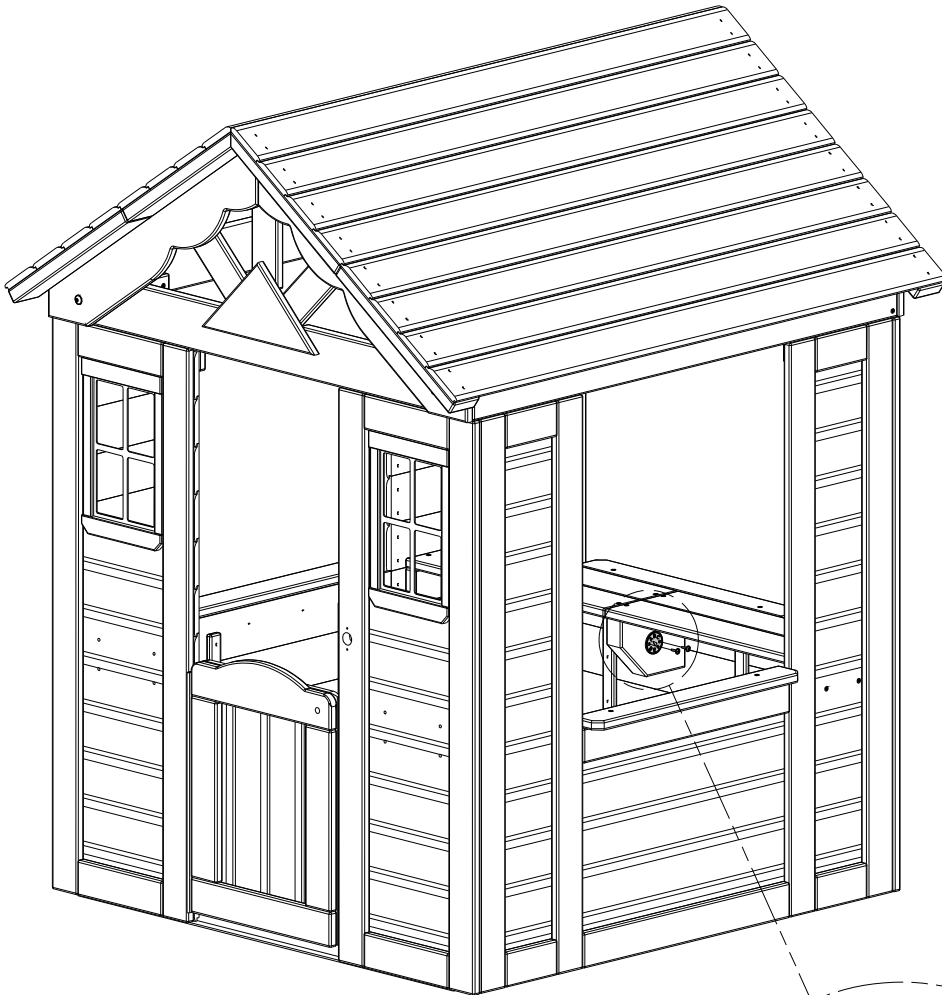
STEP 19



A100314 | "A" REVISION TAG
(x1)



H100128 | SCREW PWH
(x2) | 8x5/8



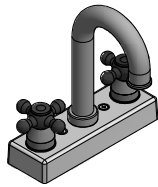
314 (x1)
"A" REVISION TAG

128 (x2)
SCREW - 5/8

MOUNT IN THE APPROXIMATE
LOCATION SHOWN ABOVE.



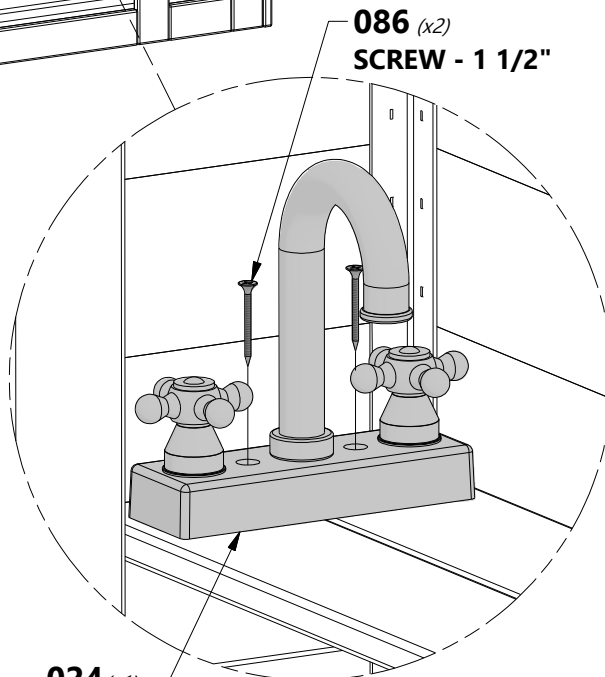
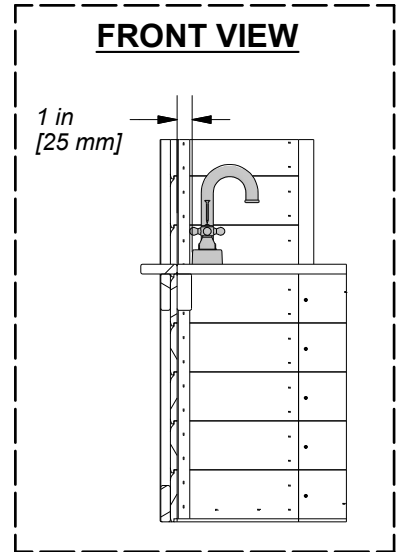
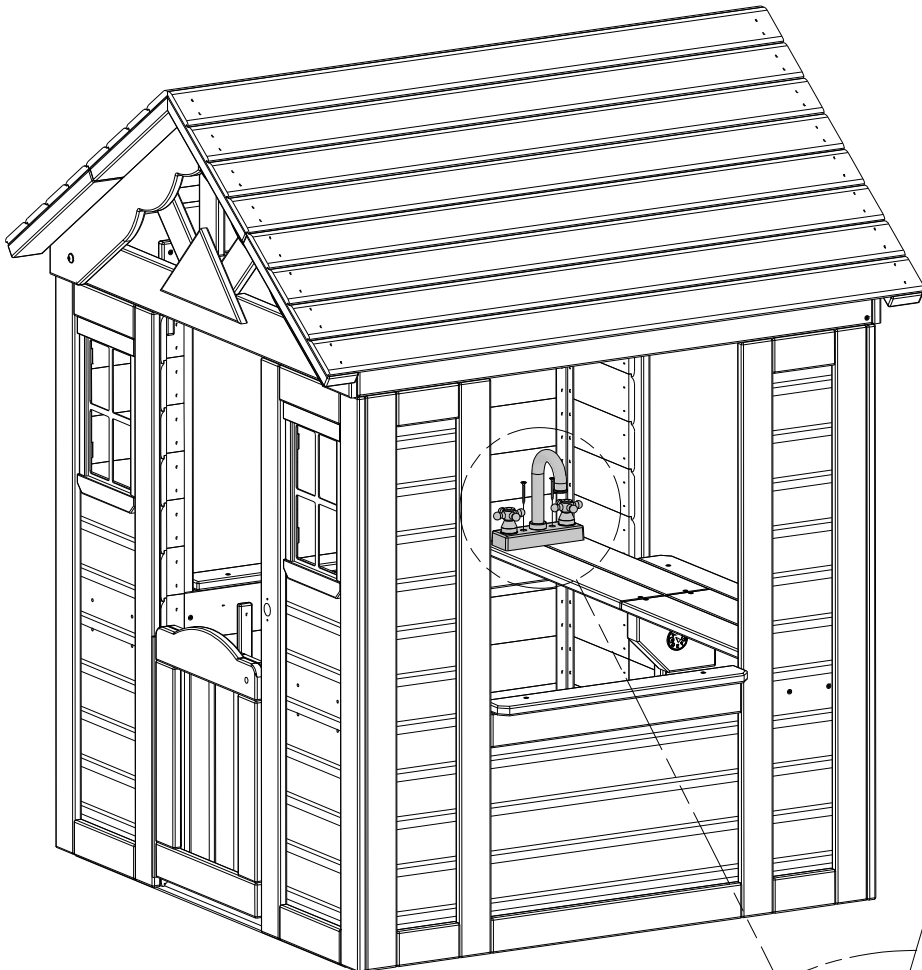
STEP 20



A6P00024 | FAUCET KIT
(x1)



H100086 | SCREW PFH
(x2) | 8x1 1/2

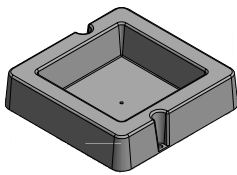


086 (x2)
SCREW - 1 1/2"

024 (x1)
FAUCET KIT



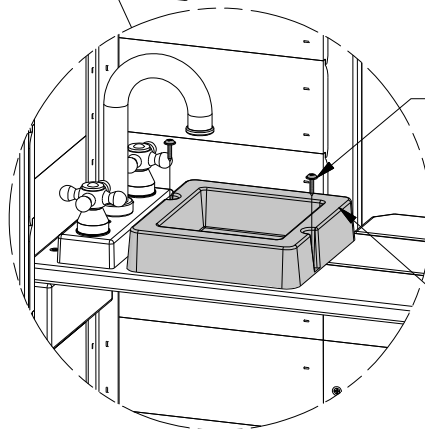
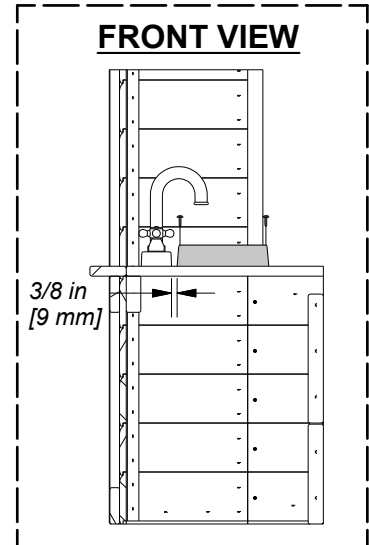
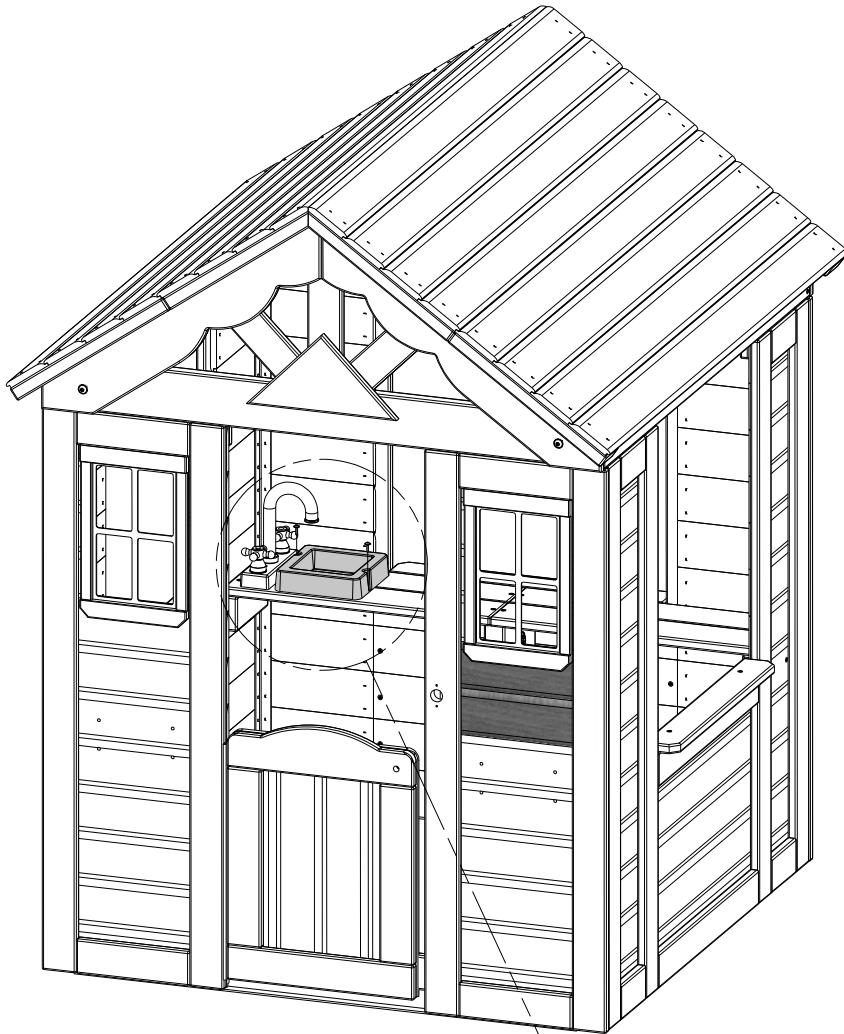
STEP 21



A6P00032 | SURFACE MOUNT BASIN
(x1)



H100128 | SCREW PWH
(x2) 8x5/8

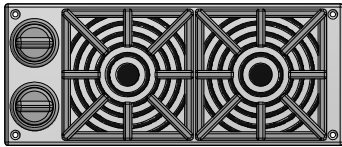


128 (x2)
SCREW - 5/8

032 (x1)
SURFACE MOUNT BASIN



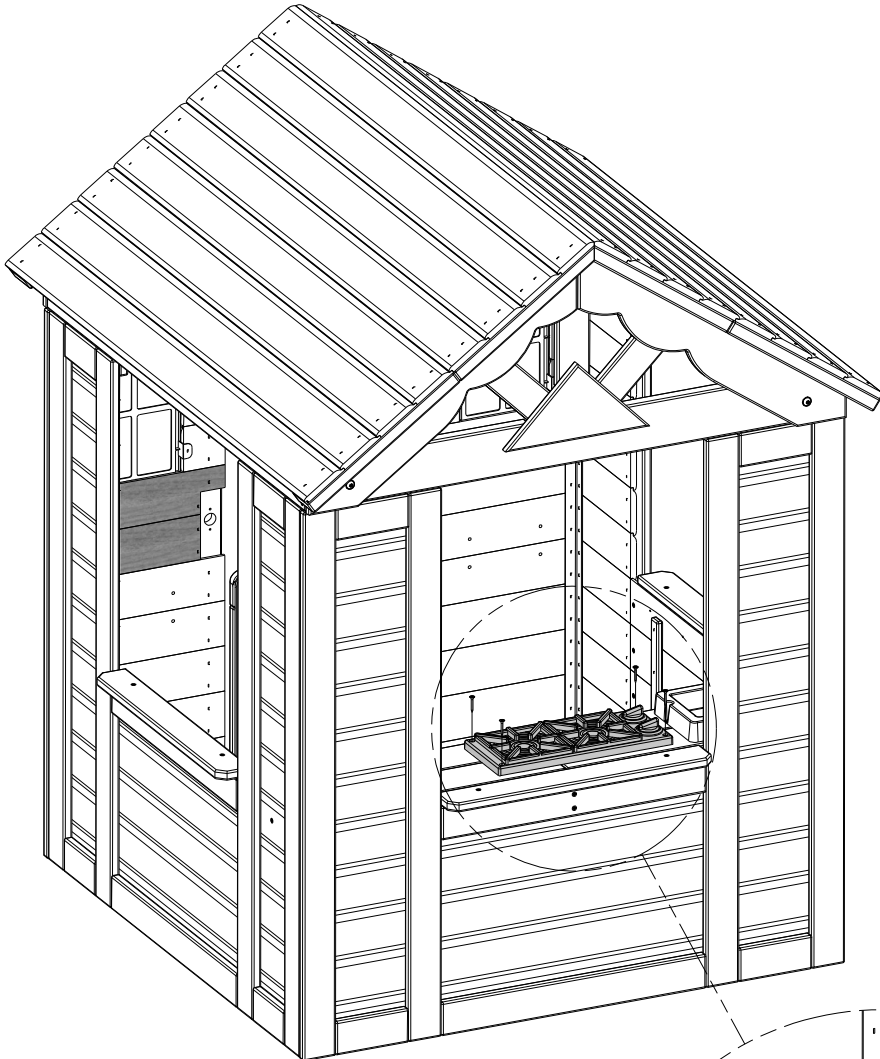
STEP 22



A6P00025 | STOVE KIT
(x1)



H100088 | SCREW PFH
(x4) | 8x1 1/8



088 (x4)
SCREW - 1 1/8"

025 (x1)
STOVE KIT

1 1/8 in
[29 mm]



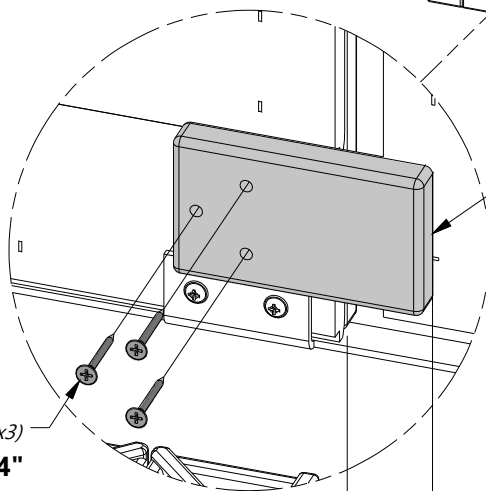
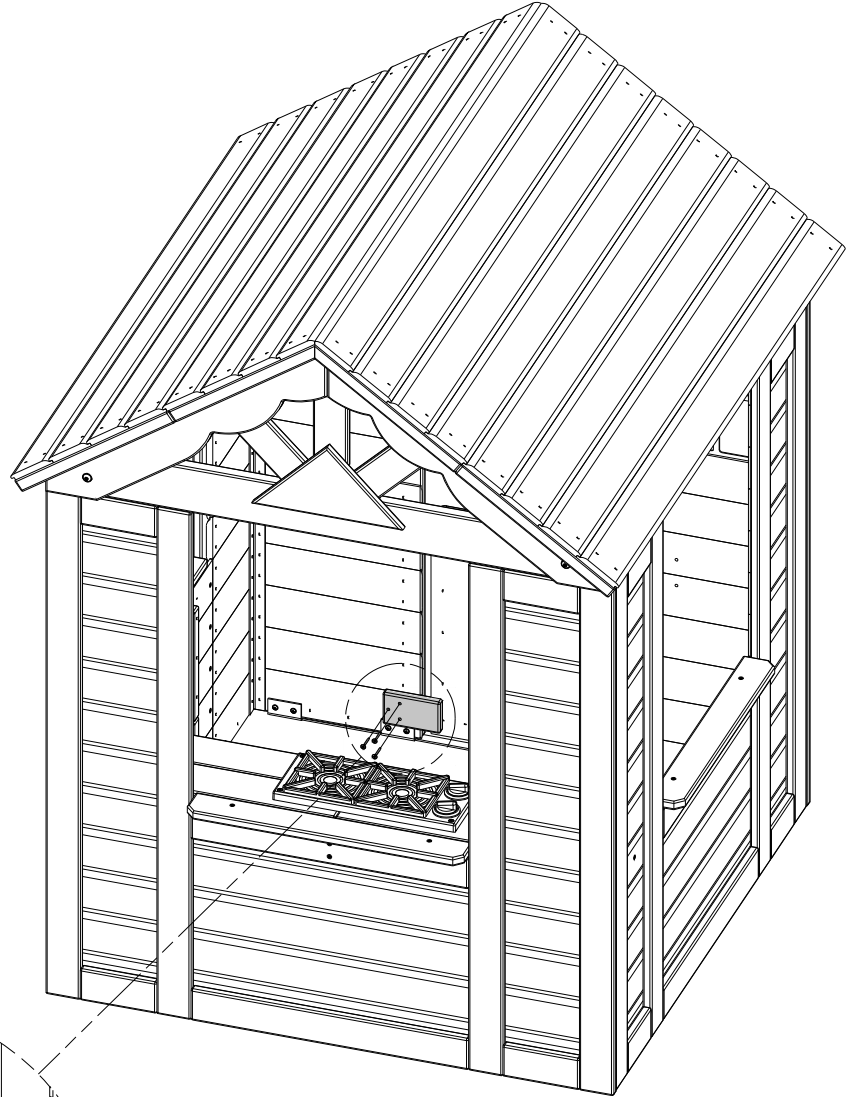
STEP 23



N3 | DOOR STOP - W4L13449
(x1) | 5/8"x2 3/8"x3 7/8" (16x60x100)




H100087 | SCREW PFH
(x3) | 8x1 1/4"



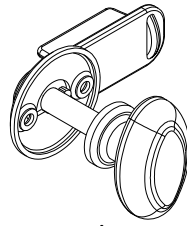
N3 (x1)
DOOR STOP

087 (x3)
SCREW - 1-1/4"


1 5/8 in
[40 mm]



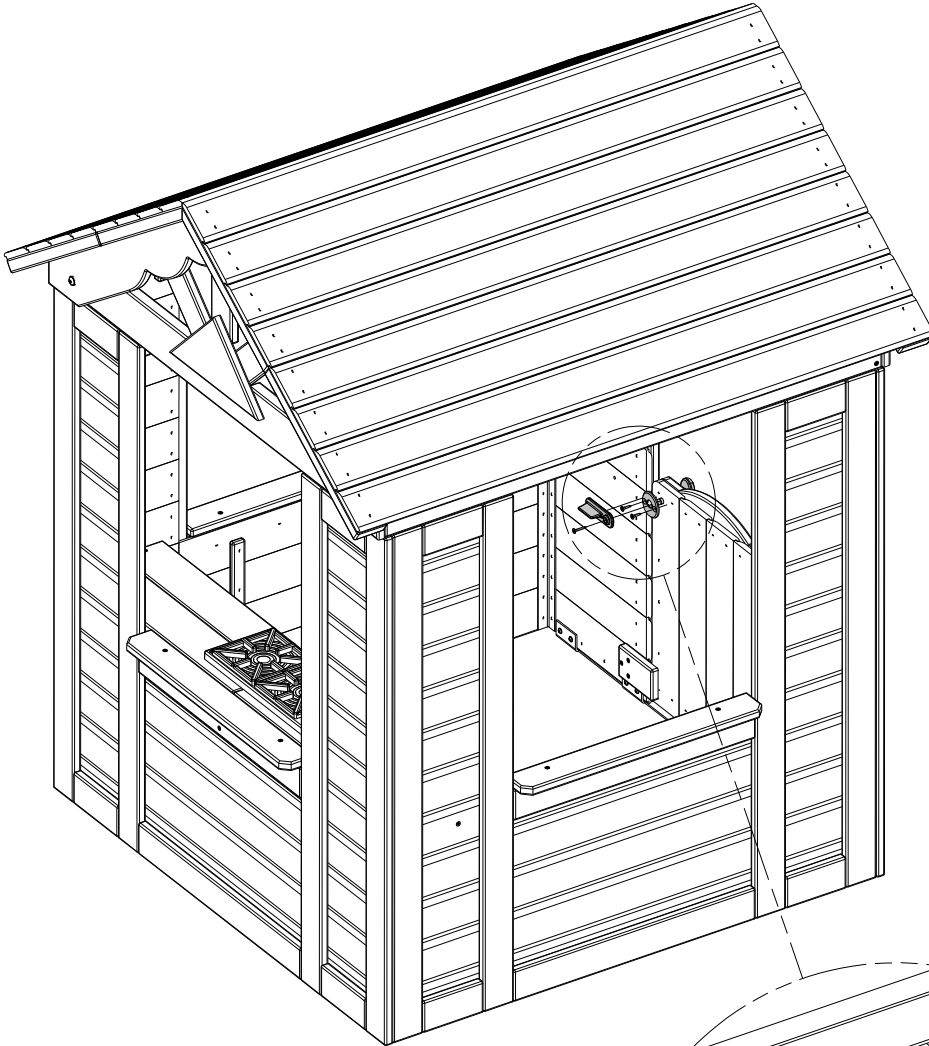
STEP 24



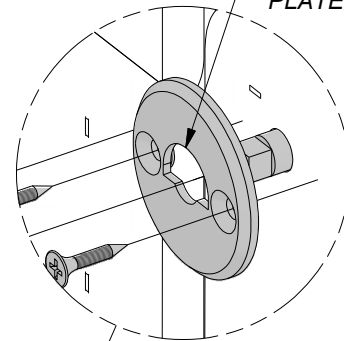
A6P00020
(x1) | **KNOB KIT**



TIP:
WHEN DOOR LATCH IS IN THE UNLOCKED POSITION IT SHOULD FACE IN THE UPWARD DIRECTION.



 **NOTE ARCH IN FACE PLATE FACES UP.**



020 (x1)
LATCHING KNOB KIT

KNOB

FACE PLATE

LATCH

SCREW - 1" (x1)
INCLUDED IN KNOB KIT

SCREW - 3/4" (x2)
INCLUDED IN KNOB KIT



STEP 25



A100132 | PHONE KIT
(x1)

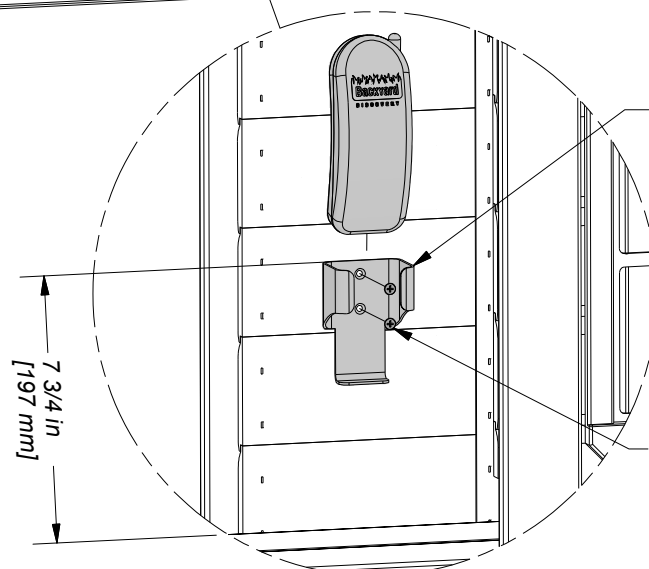
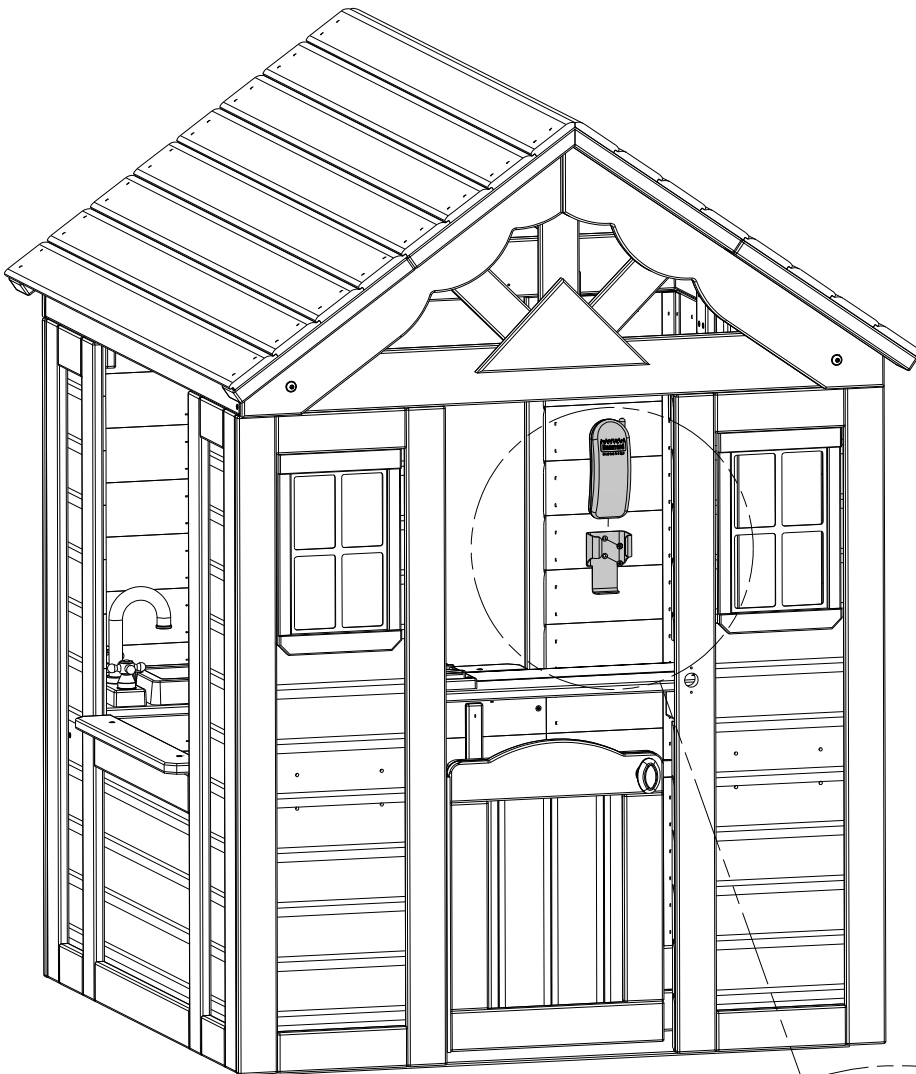


H100124 | SCREW PFH
(x2) 8 x 1/2



TIP:

CENTER PHONE AND MOUNT
USING THE DIMENSION BELOW
OR YOUR DESIRED LOCATION.

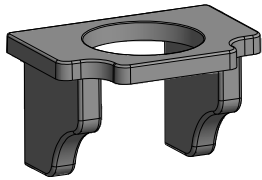


132 (x1)
PHONE KIT

124 (x2)
SCREW PFH 8x1/2



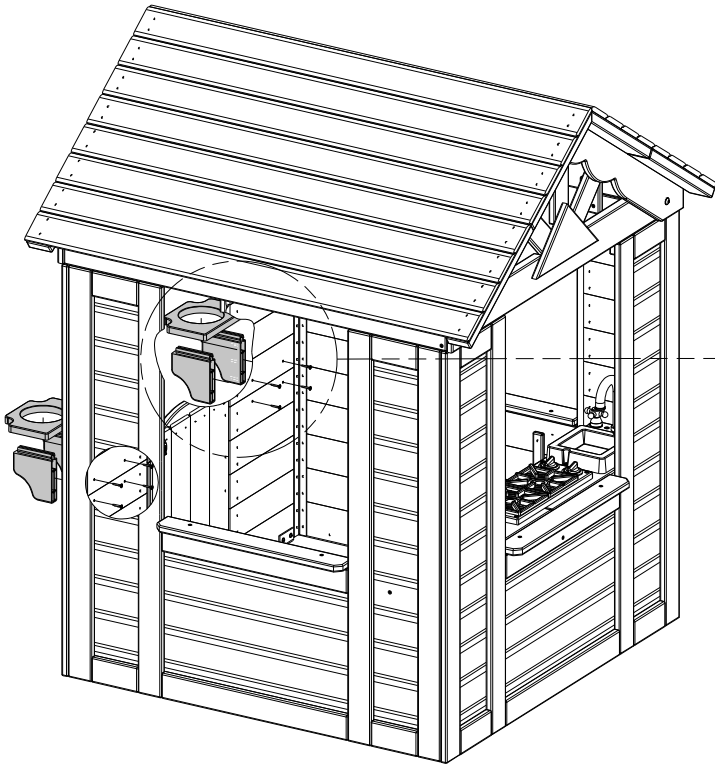
STEP 26



A6P00387 | FLOWER POT HOLDER - BLK
(x2)

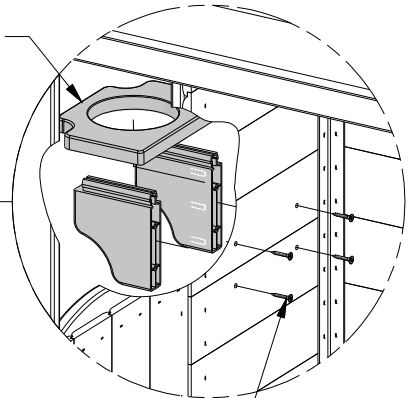


H100085 | SCREW PFH
(x8) | 8x1

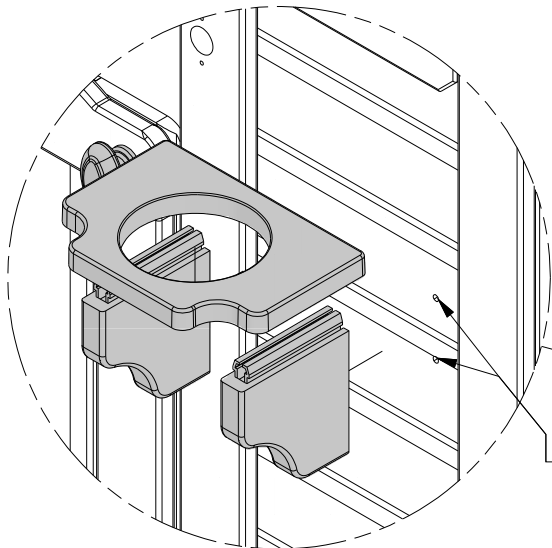


REPEAT ON OPPOSITE SIDE

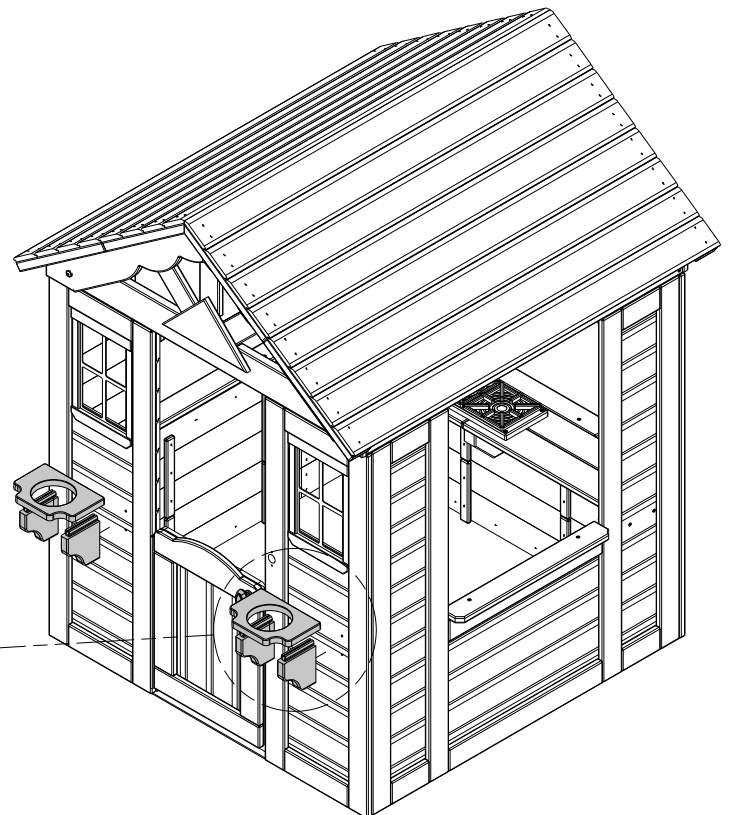
387 *(x1)*
FLOWER POT HOLDER - BLK



085 *(x4)*
SCREW - 1"



 **NOTE HOLE LOCATIONS**





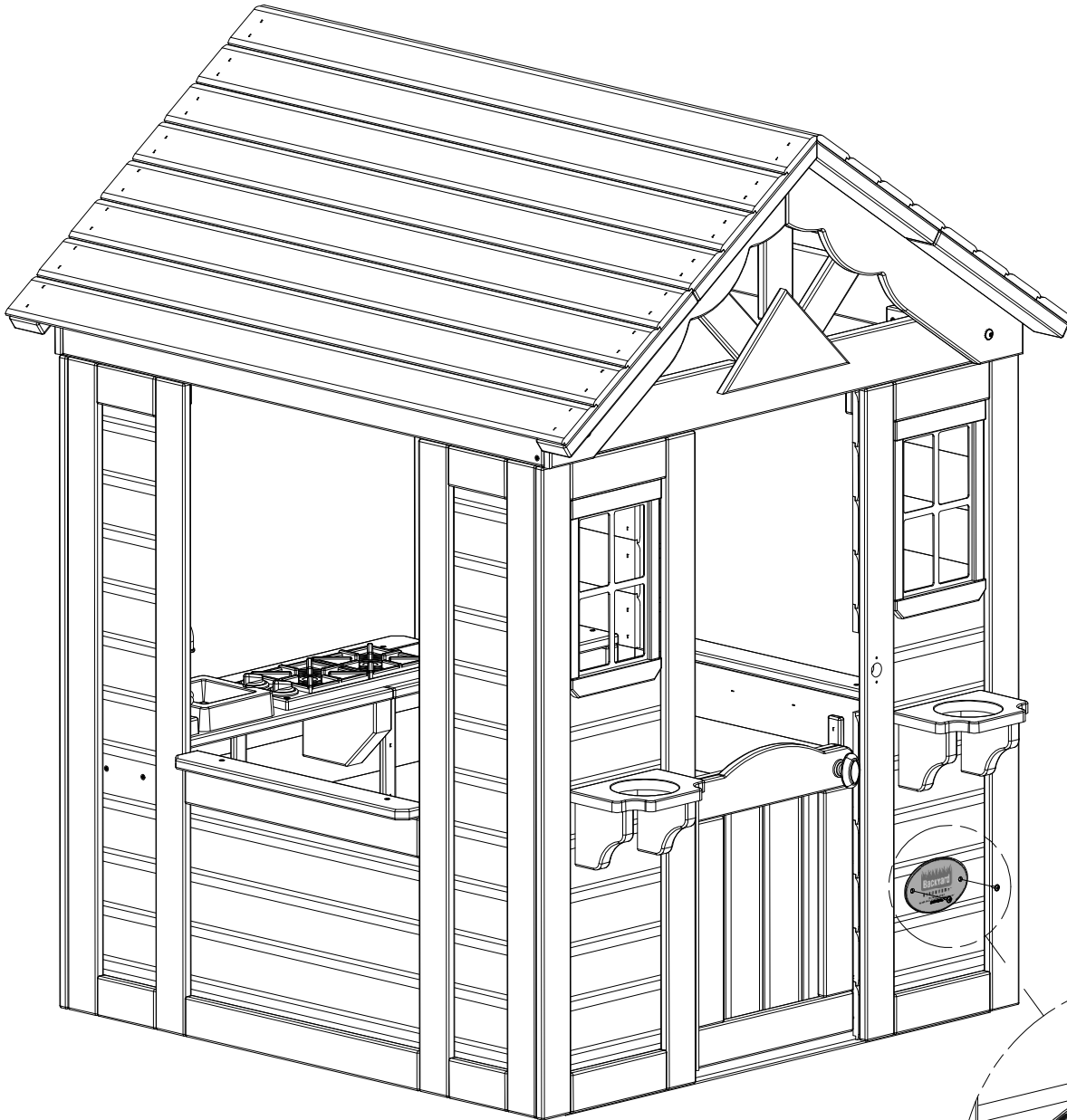
STEP 27



A4M00528 | BYD ID TAG (MEDIUM) AGES 2 TO 10
(x1)

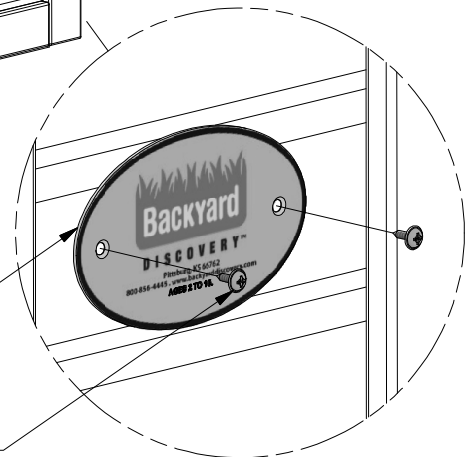


H100361 | SCREW PWH
(x2) | 8x7/16



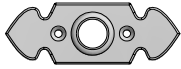
528 (x1)
BYD ID TAG (MEDIUM) AGES 2 TO 10

361 (x2)
SCREW - 7/16"

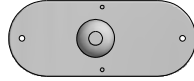




STEP 28



A6P00290 | DOOR BELL PLATE
(x1)



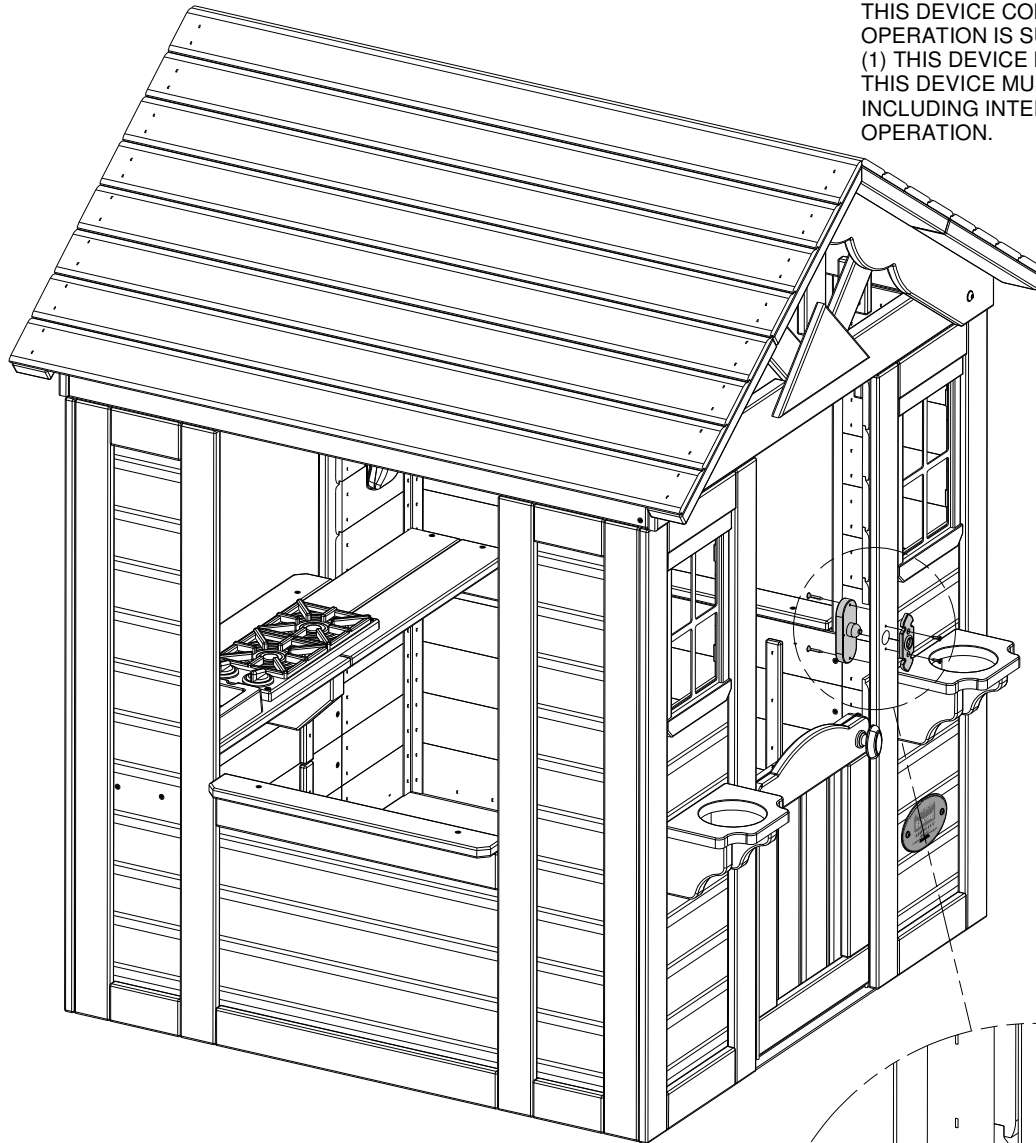
A100174 | DOOR BELL
(x1)



H100537 | SCREW PFH SD
(x2) | 8x1



H100624 | SCREW PFH BLK
(x2) | 6x5/8



NOTE:

THIS DEVICE COMPLIES WITH PART 15 OF THE FCC RULES. OPERATION IS SUBJECT TO THE FOLLOWING TWO CONDITIONS: (1) THIS DEVICE MAY NOT CAUSE HARMFUL INTERFERENCE, (2) THIS DEVICE MUST ACCEPT ANY INTERFERENCE RECEIVED, INCLUDING INTERFERENCE THAT MAY CAUSE UNDESIRABLE OPERATION.

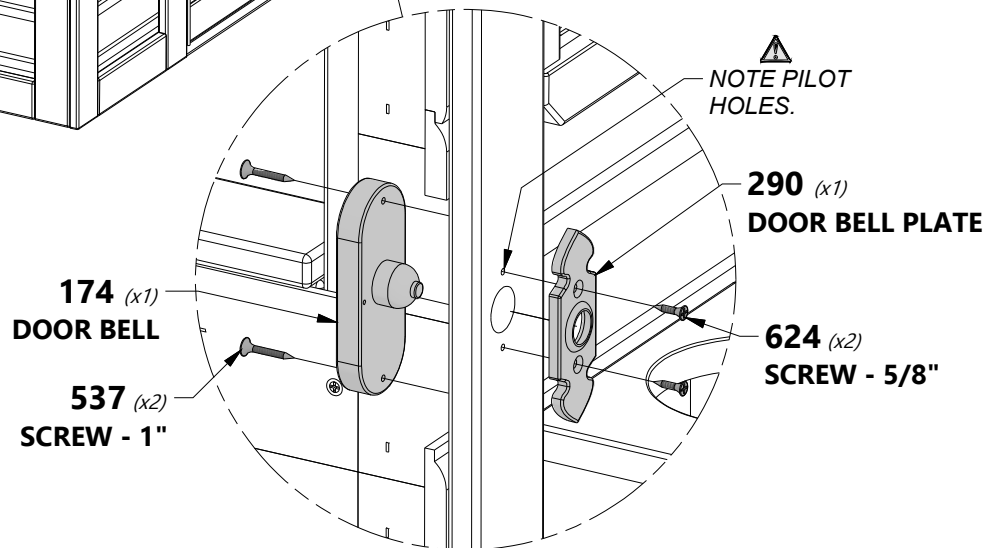
FCC LABEL

- DO NOT MIX OLD AND NEW BATTERIES.
- DO NOT MIX ALKALINE, STANDARD (CARBON-ZINC), OR RECHARGEABLE (NI-CAD, NI-MH, ETC.) BATTERIES.
- NON-RECHARGEABLE BATTERIES ARE NOT TO BE RECHARGED.
- ONLY BATTERIES OF THE SAME OR EQUIVALENT TYPE AS RECOMMENDED ARE TO BE USED.
- BATTERIES ARE TO BE INSERTED WITH THE CORRECT POLARITY.
- EXHAUSTED BATTERIES ARE TO BE REMOVED FROM THE TOY OR IF THE TOY IS TO BE LEFT UNUSED FOR A LONG TIME.
- THE SUPPLY TERMINALS ARE NOT TO BE SHORT-CIRCUITED.
- RECHARGEABLE BATTERIES ARE TO BE REMOVED FROM THE TOY BEFORE BEING CHARGED.
- RECHARGEABLE BATTERIES ARE ONLY TO BE CHARGED UNDER ADULT SUPERVISION.

NOTE:

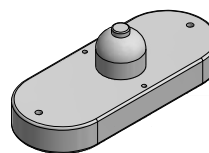
USING A SCREW DRIVER, REPLACE BATTERIES BY REMOVING SCREW IN BATTERY COVER, REMOVING BATTERY COVER AND FOLLOWING DIRECTIONS FOR BATTERY REPLACEMENT LOCATED ON THE BATTERY COVER.

1. KEEP BATTERIES OUT OF THE REACH OF CHILDREN.
2. SWALLOWING MAY LEAD TO SERIOUS INJURY OR DEATH IN AS LITTLE AS 2 HOURS, DUE TO CHEMICAL BURNS AND POTENTIAL PERFORATION OF THE ESOPHAGUS.
3. IF YOU SUSPECT YOUR CHILD HAS SWALLOWED A BUTTON BATTERY, IMMEDIATELY SEEK URGENT MEDICAL ASSISTANCE.
4. EXAMINE DEVICES AND MAKE SURE THE BATTERY COMPARTMENT IS CORRECTLY SECURED, E.G. THAT THE SCREW OR OTHER MECHANICAL FASTENER IS TIGHTENED. DO NOT USE IF COMPARTMENT IS NOT SECURE.
5. DISPOSE OF USED BUTTON BATTERIES IMMEDIATELY AND SAFELY. FLAT BATTERIES CAN STILL BE DANGEROUS.
6. TELL OTHER OF THE RISK ASSOCIATED WITH BUTTON BATTERIES AND HOW TO KEEP THEIR CHILDREN SAFE.





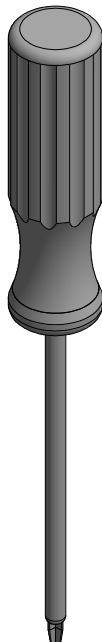
STEP 29



A100174
(x1) | **DOOR BELL**

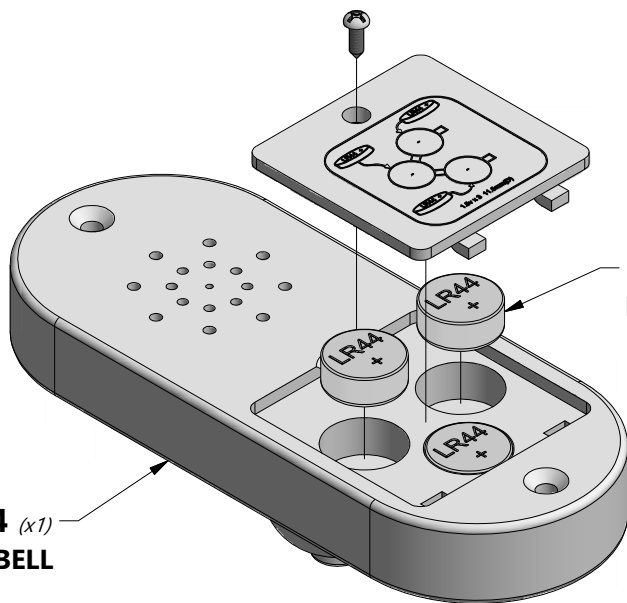
NOTE:

- DO NOT MIX OLD AND NEW BATTERIES.
- DO NOT MIX ALKALINE, STANDARD (CARBON-ZINC), OR RECHARGEABLE (NI-CAD, NI-MH, ETC.) BATTERIES.
- NON-RECHARGEABLE BATTERIES ARE NOT TO BE RECHARGED.
- ONLY BATTERIES OF THE SAME OR EQUIVALENT TYPE AS RECOMMENDED ARE TO BE USED.
- BATTERIES ARE TO BE INSERTED WITH THE CORRECT POLARITY.
- EXHAUSTED BATTERIES ARE TO BE REMOVED FROM THE TOY OR IF THE TOY IS TO BE LEFT UNUSED FOR A LONG TIME.
- THE SUPPLY TERMINALS ARE NOT TO BE SHORT-CIRCUITED.



NOTE:

USING A SCREW DRIVER, REPLACE BATTERIES BY REMOVING SCREW IN BATTERY COVER, REMOVING BATTERY COVER AND FOLLOWING DIRECTIONS FOR BATTERY REPLACEMENT LOCATED ON THE BATTERY COVER.



LR44 (x3)
BATTERY (INCLUDED)

174 (x1)
DOOR BELL



WARNING:

1. KEEP BATTERIES OUT OF THE REACH OF CHILDREN.
2. SWALLOWING MAY LEAD TO SERIOUS INJURY OR DEATH IN AS LITTLE AS 2 HOURS, DUE TO CHEMICAL BURNS AND POTENTIAL PERFORATION OF THE ESOPHAGUS.
3. IF YOU SUSPECT YOUR CHILD HAS SWALLOWED A BUTTON BATTERY, IMMEDIATELY SEEK URGENT MEDICAL ASSISTANCE.
4. EXAMINE DEVICES AND MAKE SURE THE BATTERY COMPARTMENT IS CORRECTLY SECURED, E.G. THAT THE SCREW OR OTHER MECHANICAL FASTENER IS TIGHTENED. DO NOT USE IF COMPARTMENT IS NOT SECURE.
5. DISPOSE OF USED BUTTON BATTERIES IMMEDIATELY AND SAFELY. FLAT BATTERIES CAN STILL BE DANGEROUS.
6. TELL OTHER OF THE RISK ASSOCIATED WITH BUTTON BATTERIES AND HOW TO KEEP THEIR CHILDREN SAFE.

Note:

This equipment has been tested and found to comply with the limits for a Class B digital device, pursuant to part 15 of the FCC Rules. These limits are designed to provide reasonable protection against harmful interference in a residential installation. This equipment generates, uses and can radiate radio frequency energy and, if not installed and used in accordance with the instructions, may cause harmful interference to radio communications. However, there is no guarantee that interference will not occur in a particular installation. If this equipment does cause harmful interference to radio or television reception, which can be determined by turning the equipment off and on, the user is encouraged to try to correct the interference by one or more of the following measures:

- Reorient or relocate the receiving antenna.
- Increase the separation between the equipment and receiver.
- Connect the equipment into an outlet on a circuit different from that to which the receiver is connected.
- Consult the dealer or an experienced radio/TV technician for help

Caution: Changes or modifications not expressly approved by the party responsible for compliance could void the user's authority to operate the equipment.